

CASTER BUCKET (NO OPTIONS) INSTALLATION

CST-UM-0021

Revision: R-01
Issue Date: June 15, 2022

1. PEDESTAL MOUNTING INSTRUCTIONS

1.1 INTRODUCTION

1.1.1 Purpose

This document defines the process and tools required to mount a Caster seat bucket to an X4 or X8 pedestal equipped with no additional options (except Height Adjustment).

1.2 INSTALLATION

1.2.1 Applicable Configurations

Helmcaster Configuration Number	Pedestal	Options Included
203724	X4	-
203728	X4	Height Adjust
203732	X8	-
203736	X8	Height Adjust
Saltcaster Configuration Number	Pedestal	Options Included
203703	X4	-
203707	X4	Height Adjust
203711	X8	-
203718	X8	Height Adjust

1.2.2 Tools and Material

Allen Key Sizes	Wrench / Socket Sizes	Other
-	10mm	Loctite® 243™ (Blue) Threadlocker

1.2.3 Hardware Required

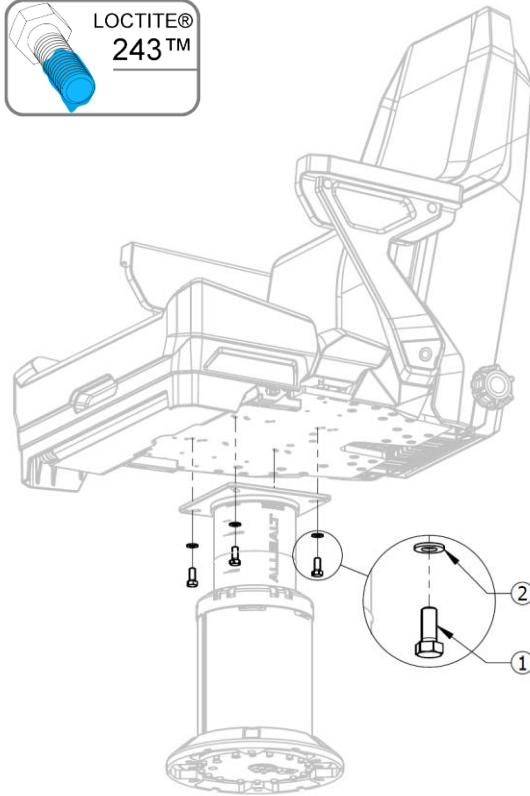
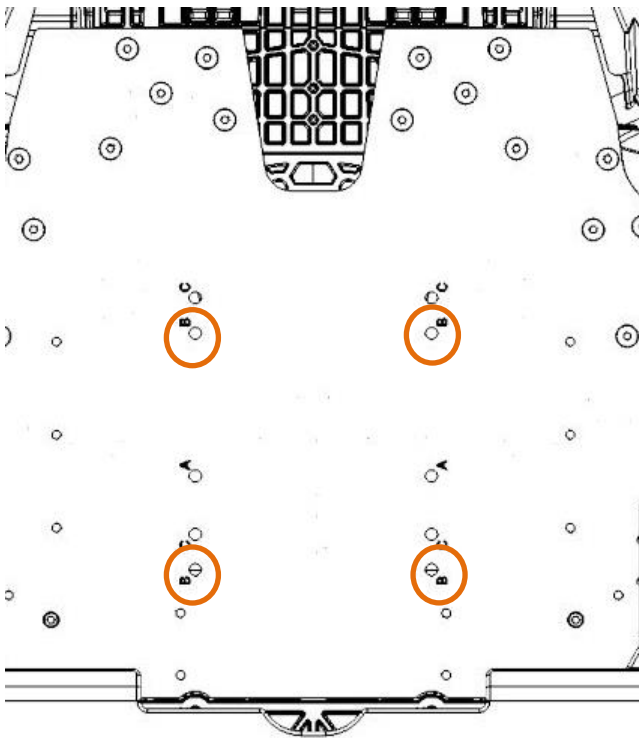
Bolt Head	Thread	Length	Material	Quantity
Hex Bolt	M8 x 1.25mm	20mm	Stainless Steel	4
Washer	M8	-	Stainless Steel	4

Bucket Install

- 10mm socket/wrench
- Loctite® 243™ (Blue) Threadlocker

Place the Caster seat bucket atop the pedestal top plate, aligning the top plate slots with hole pattern B located on the bottom of the seat base. Pattern B is shown below.

Install prescribed mounting hardware with Loctite® 243™ (Blue) Threadlocker.



ITEM NO.	PART NUMBER / DESCRIPTION	QTY
1	M8x1.25MM x 20MM HEX BOLT 316SS	4
2	M8 LIGHT AN WASHER 316SS	4