

HELMCASTER BUCKET (WITH FORE-AFT) INSTALLATION

CST-UM-0019

Revision: R-01
Issue Date: June 15, 2022

1. PEDESTAL MOUNTING INSTRUCTIONS

1.1 INTRODUCTION

1.1.1 Purpose

This document defines the process and tools required to mount a Helmcaster seat bucket to an X4 or X8 pedestal equipped with fore-aft adjustment.

1.2 INSTALLATION

1.2.1 Applicable Helmcaster Configurations

Configuration Number	Pedestal	Options Included
203729	X4	Fore Aft, Height Adjust
203731	X4	Fore Aft, Swivel, Height Adjust
203725	X4	Fore Aft
203727	X4	Fore Aft, Swivel
203737	X8	Fore Aft, Height Adjust
203739	X8	Fore Aft, Swivel, Height Adjust
203733	X8	Fore Aft
203735	X8	Fore Aft, Swivel

1.2.2 Tools and Material

Allen Key Sizes	Wrench / Socket Sizes	Other
5mm	-	Loctite® 243™ (Blue) Threadlocker

1.2.3 Hardware Required

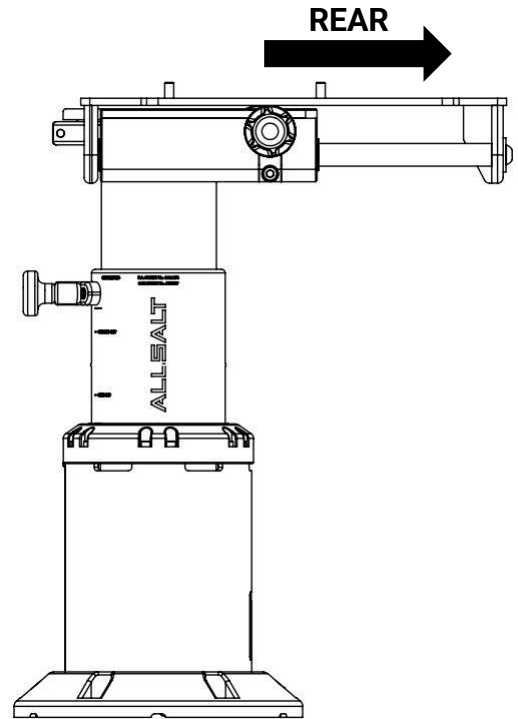
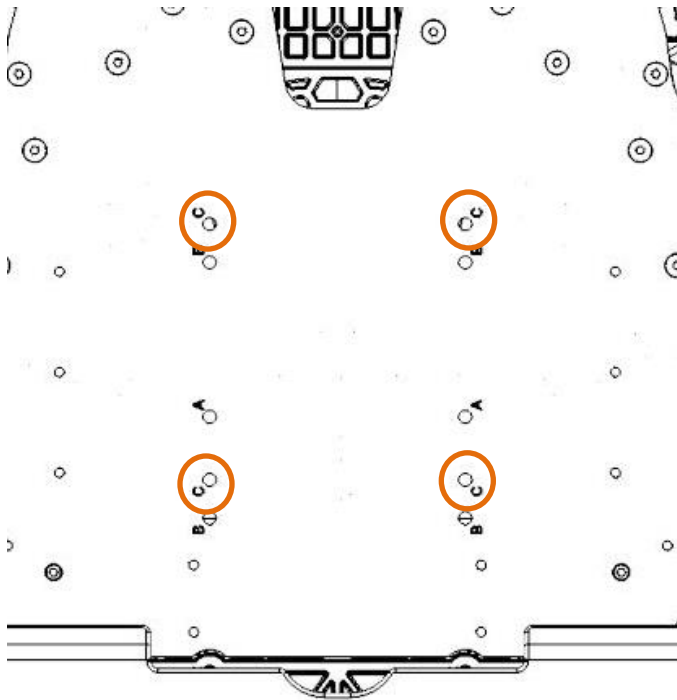
Bolt Head	Thread	Length	Material	Quantity
Flat Head	M8 x 1.25mm	20mm	Stainless Steel	4

1.2.4 Procedure

Bucket Install

Slide Fore Aft Option away rearward as seen to the right

Place the Helmcaster seat bucket atop the Fore Aft top plate, aligning the Fore Aft top plate slots with hole pattern C located on the Seat base. Pattern C is shown below.

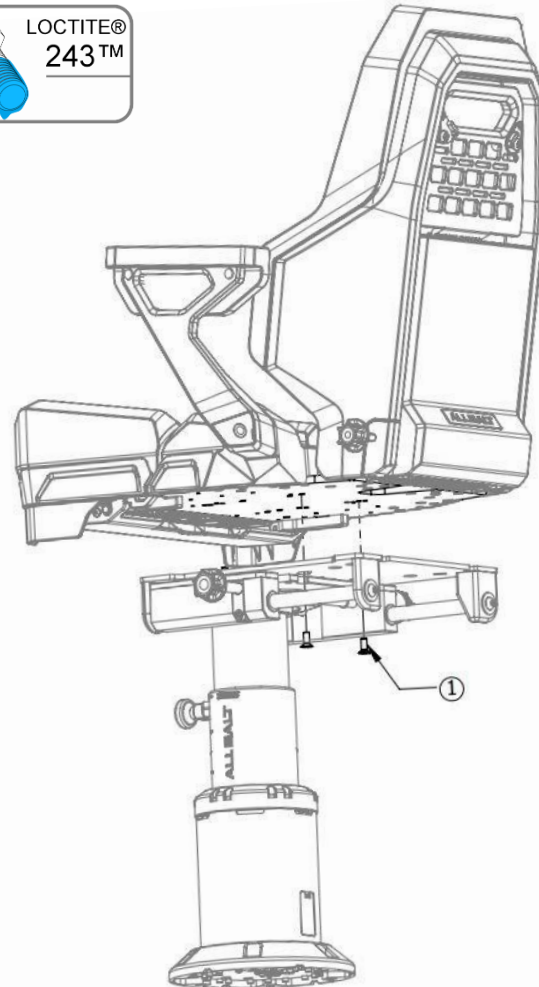


Bucket Install

- 5mm allen key
- Loctite® 243™ (Blue) Threadlocker

With the Helmcaster bucket placed atop the Fore Aft top plate install the rear two mounting bolts

Install prescribed mounting hardware with Loctite® 243™ (Blue) Threadlocker.



ITEM NO.	PART NUMBER / DESCRIPTION	QTY.
1	M8x1.25mm x 20mm FLAT HEAD 316SS	2

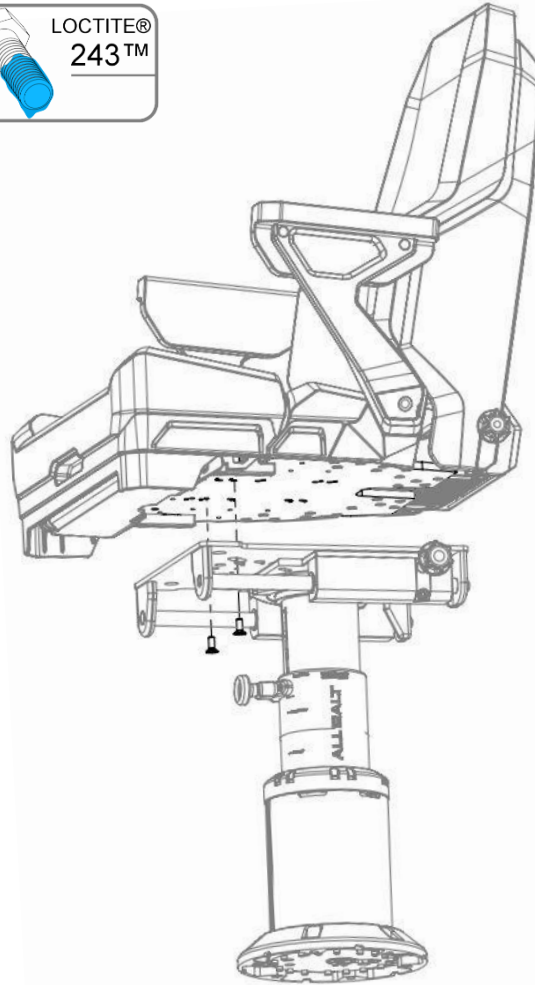
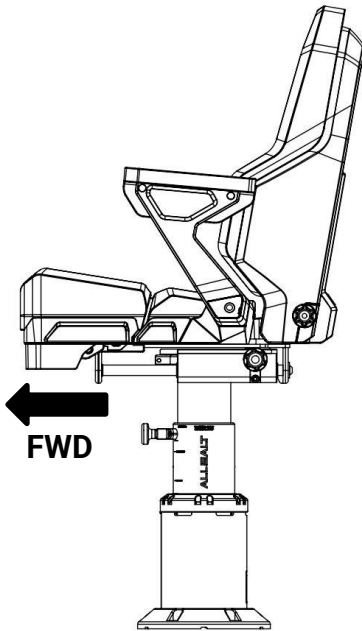
2.2.1.4 Bucket Install

- 5mm allen key
- Loctite® 243™ (Blue) Threadlocker

With the two rear bolts installed, slide the Helmcaster forward with the Fore Aft adjustment.

From below the seat install the remaining two fasteners in the front two mounting slots.

Install prescribed mounting hardware with Loctite® 243™ (Blue) Threadlocker.



ITEM NO.	PART NUMBER / DESCRIPTION	QTY.
1	M8x1.25MM x 20MM FLAT HEAD 316SS	2