

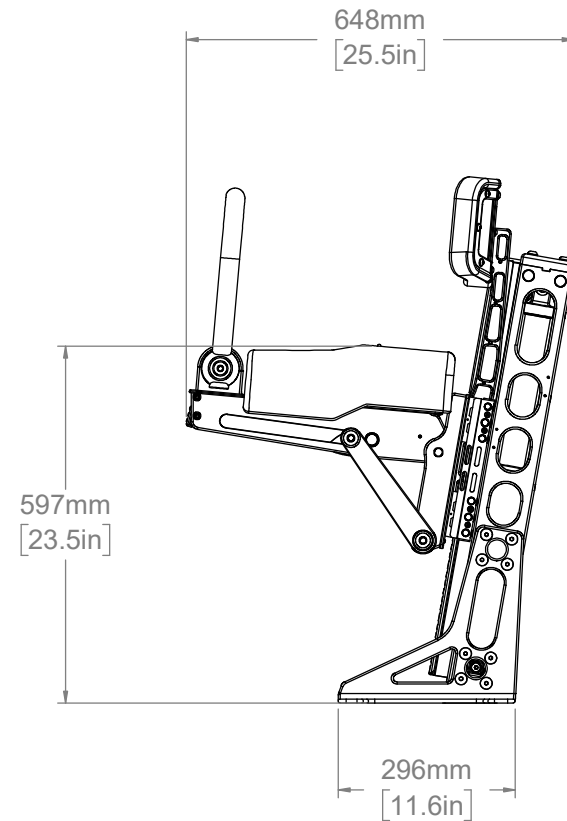
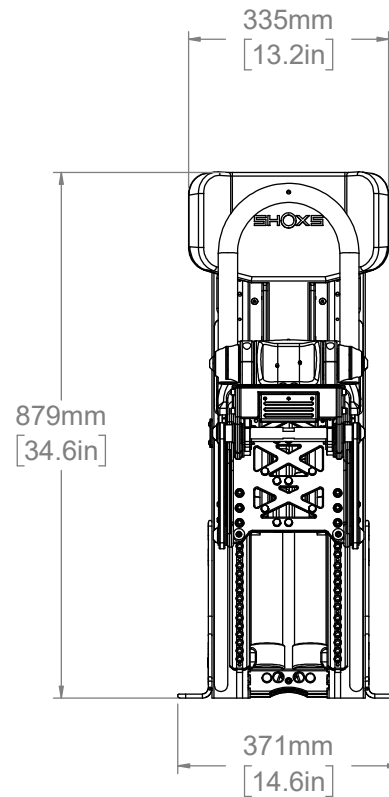
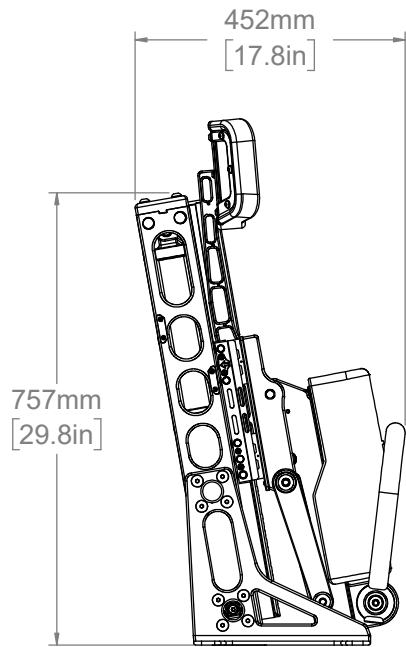
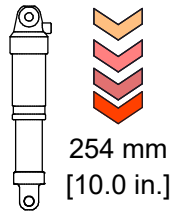


SHOXS 5605 InfoSet



SHOXS 5605 / Overview

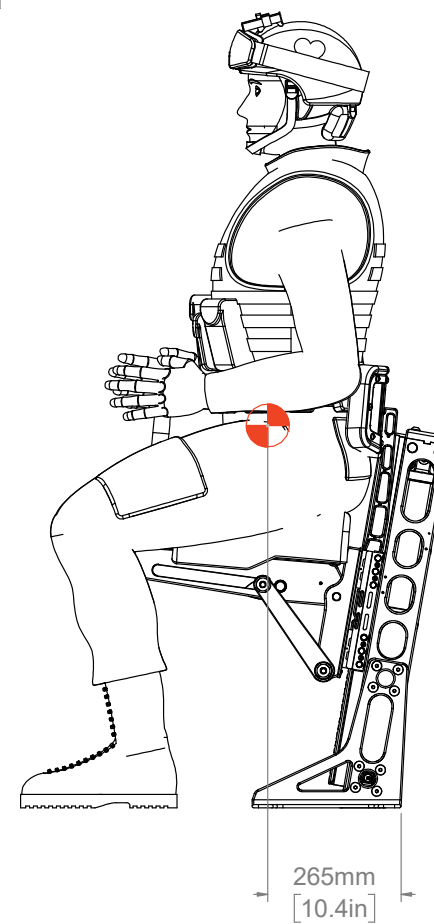
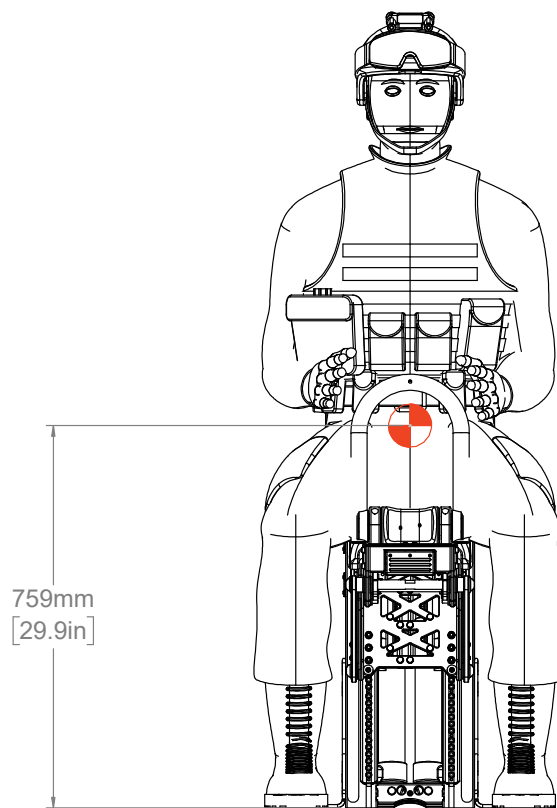
Material Aluminum / 316 SS
Base Weight 22.3 kg / 49.2 lb



SHOXS 5605 / Center of Mass Data

Material Aluminum / 316 SS
 Base Weight 22.3 kg / 49.2 lb

MASS OF SEAT	22.3KG (49.2LBS)
MASS OF 95TH PERCENTILE MALE	97.2KG (213.8LBS)
TOTAL MASS	119.5KG (263.0LBS)



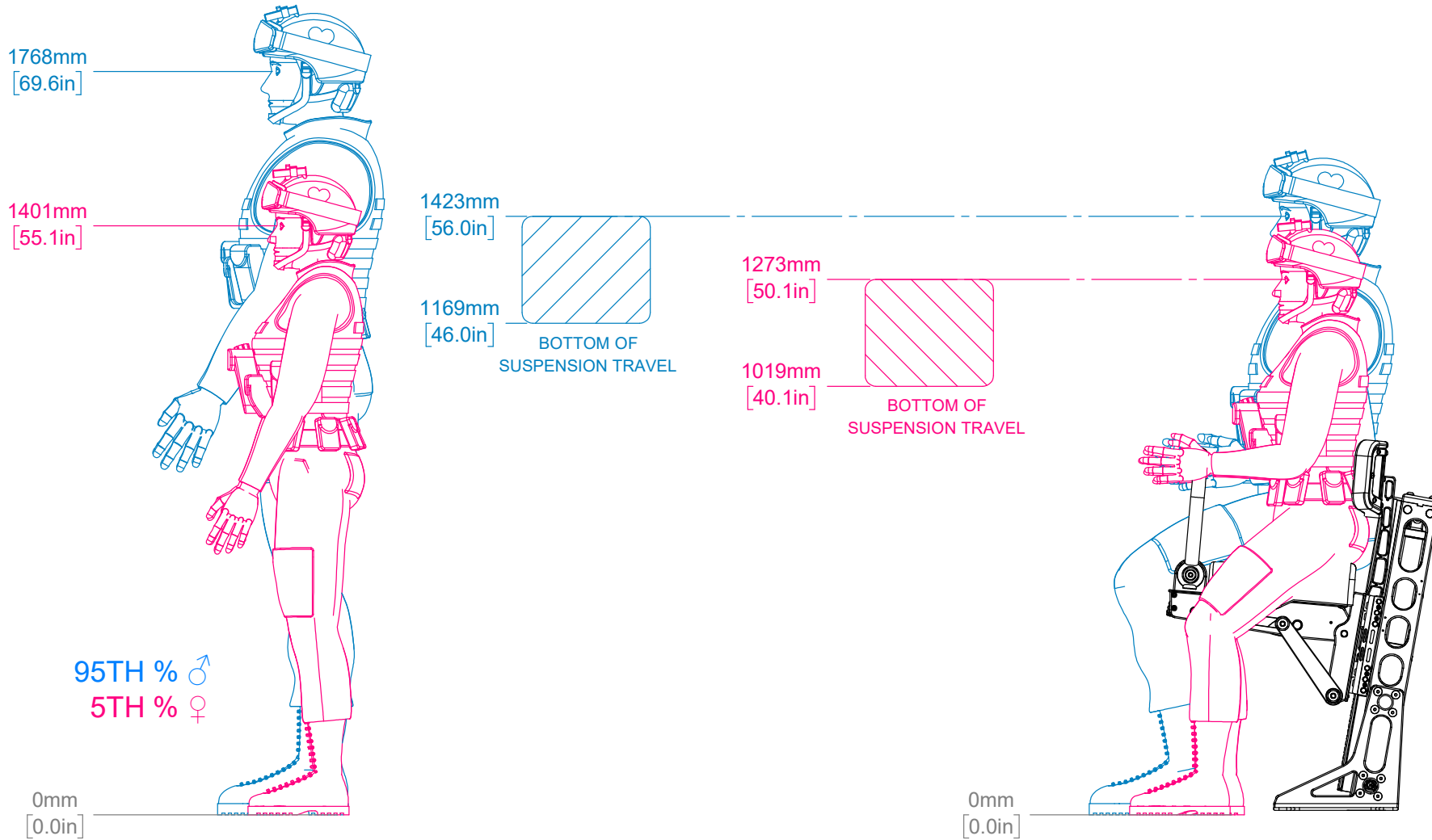
 CENTER OF MASS

MIL-STD-1472G
 Human Engineering Reference

LEARN MORE / CONTACT
shoxs.com / 1 (888) 637.4697

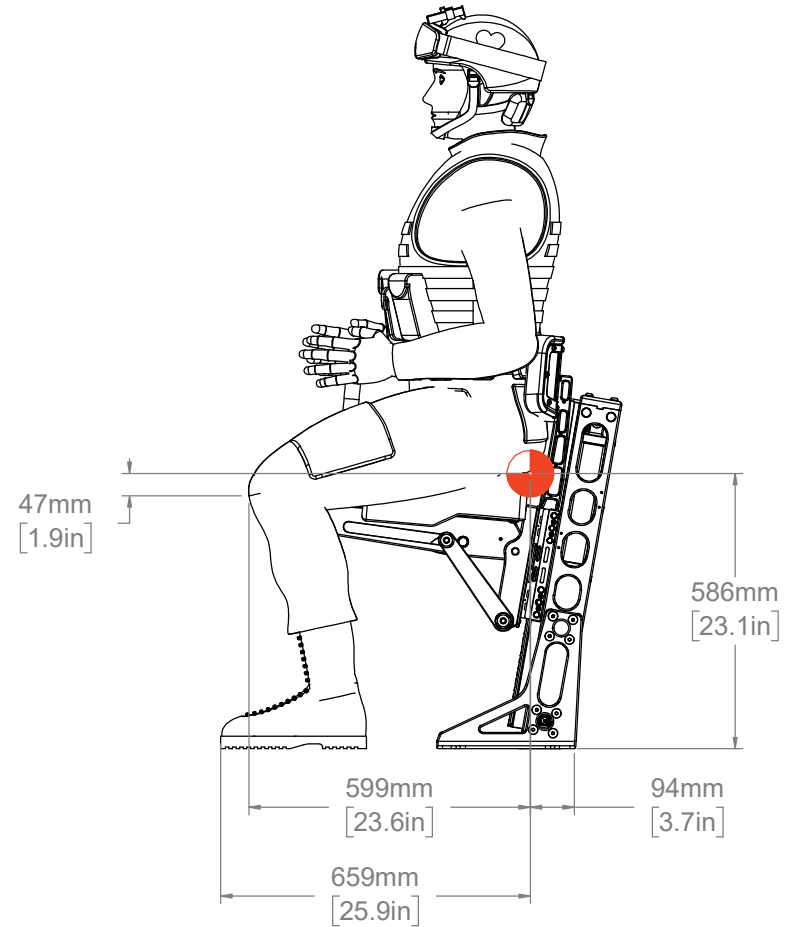
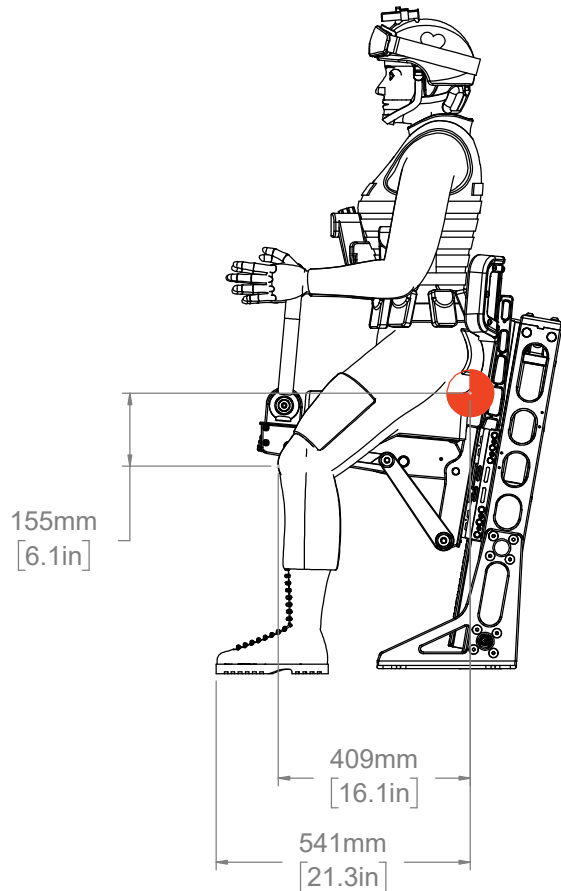
SHOXS 5605 / Sightlines

Material Aluminum / 316 SS
Base Weight 22.3 kg / 49.2 lb



SHOXS 5605 / Console Ergonomics

Material Aluminum / 316 SS
Base Weight 22.3 kg / 49.2 lb



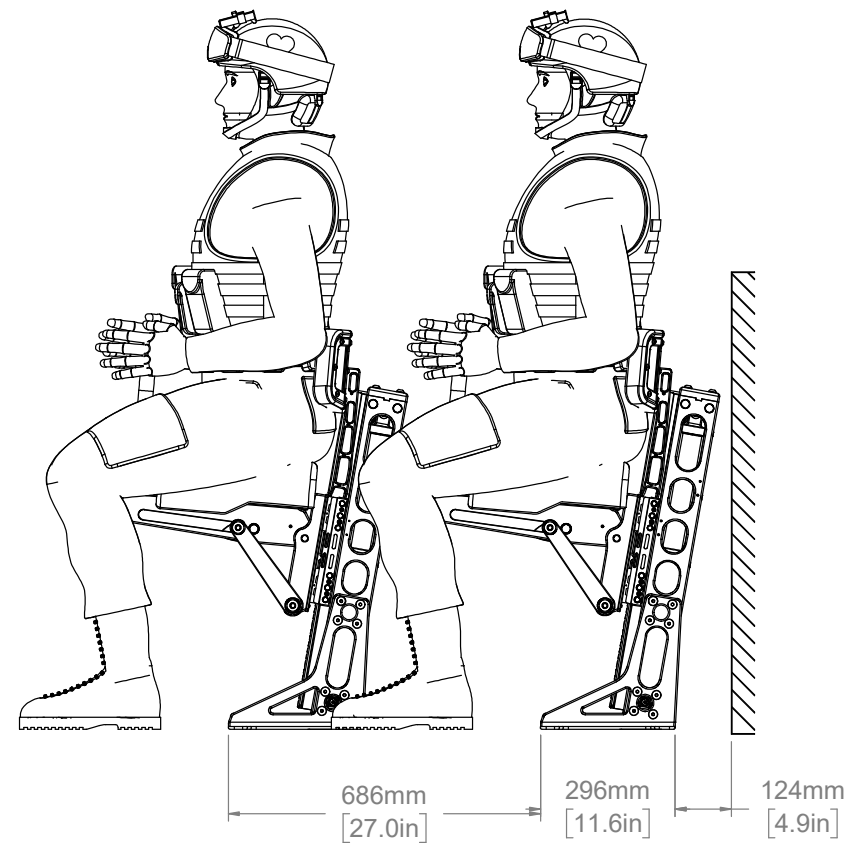
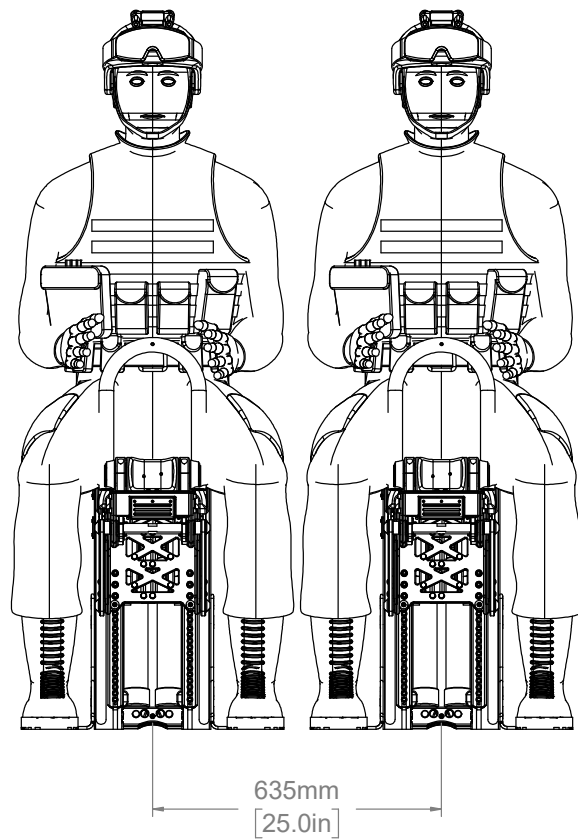
 SEAT REFERENCE POINT (SRP)

MIL-STD-1472G
Human Engineering Reference

LEARN MORE / CONTACT
shoxs.com / 1 (888) 637.4697

SHOXS 5605 / Seat Spacing

Material Aluminum / 316 SS
Base Weight 22.3 kg / 49.2 lb



MIL-STD-1472G
Human Engineering Reference

LEARN MORE / CONTACT
shoxs.com / 1 (888) 637.4697