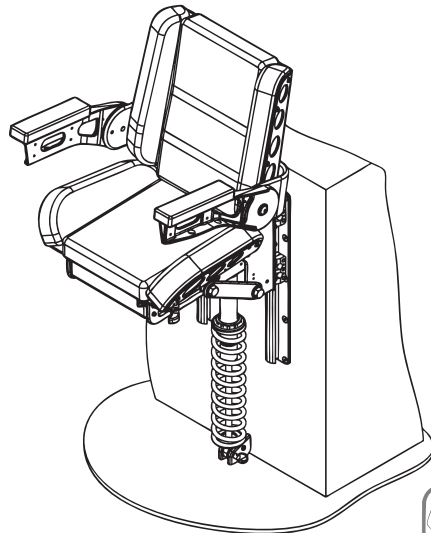
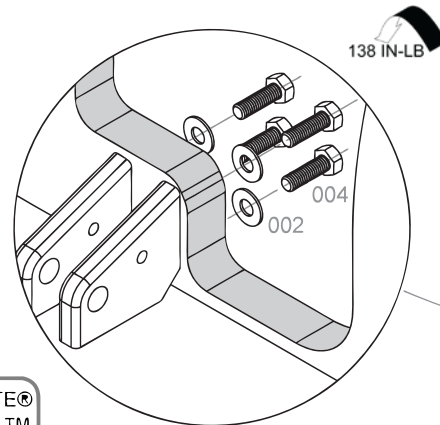
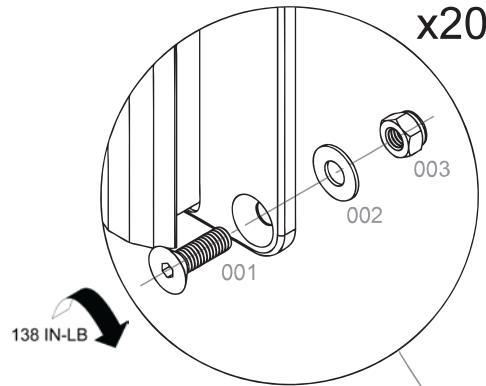
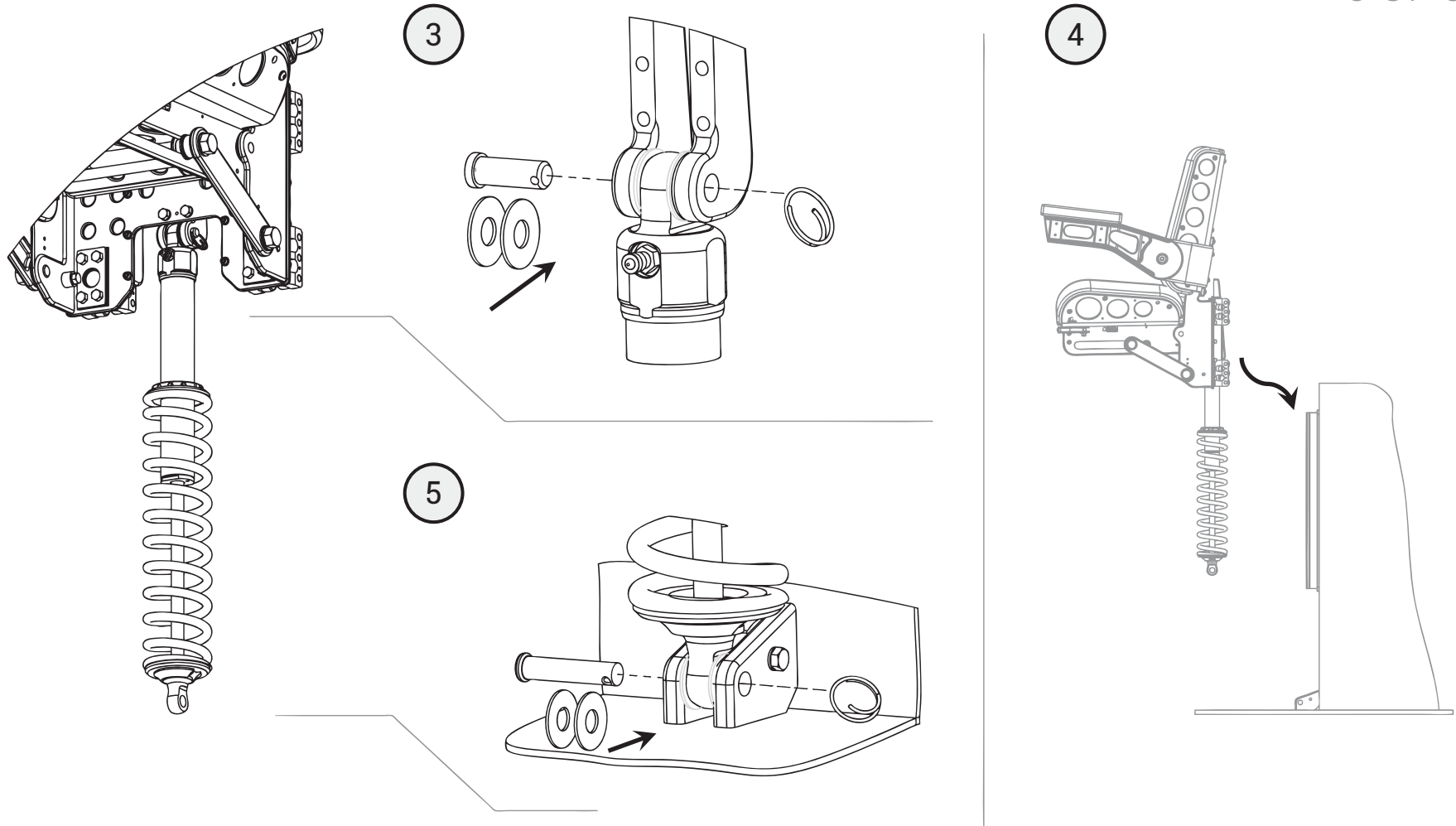
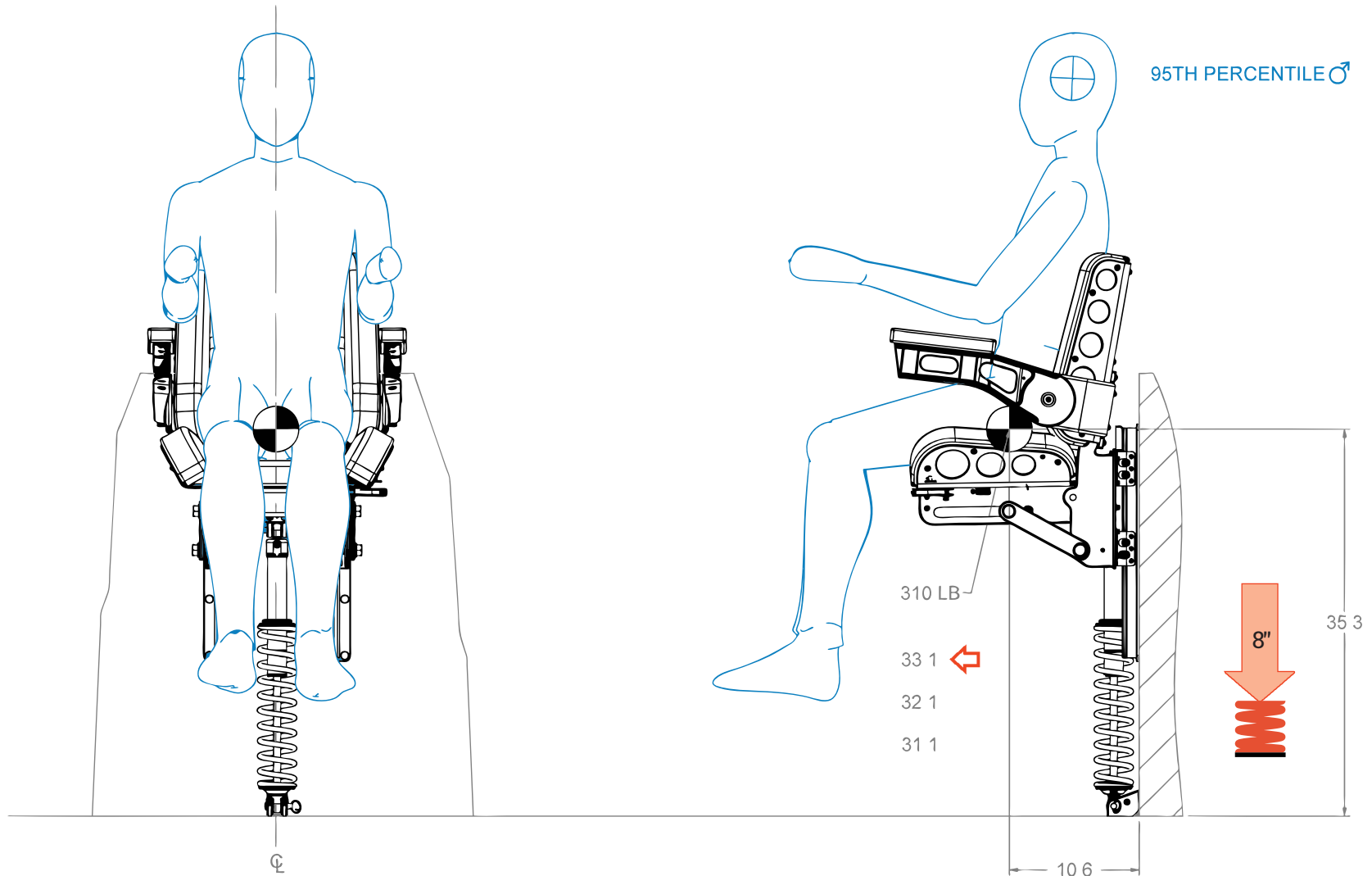


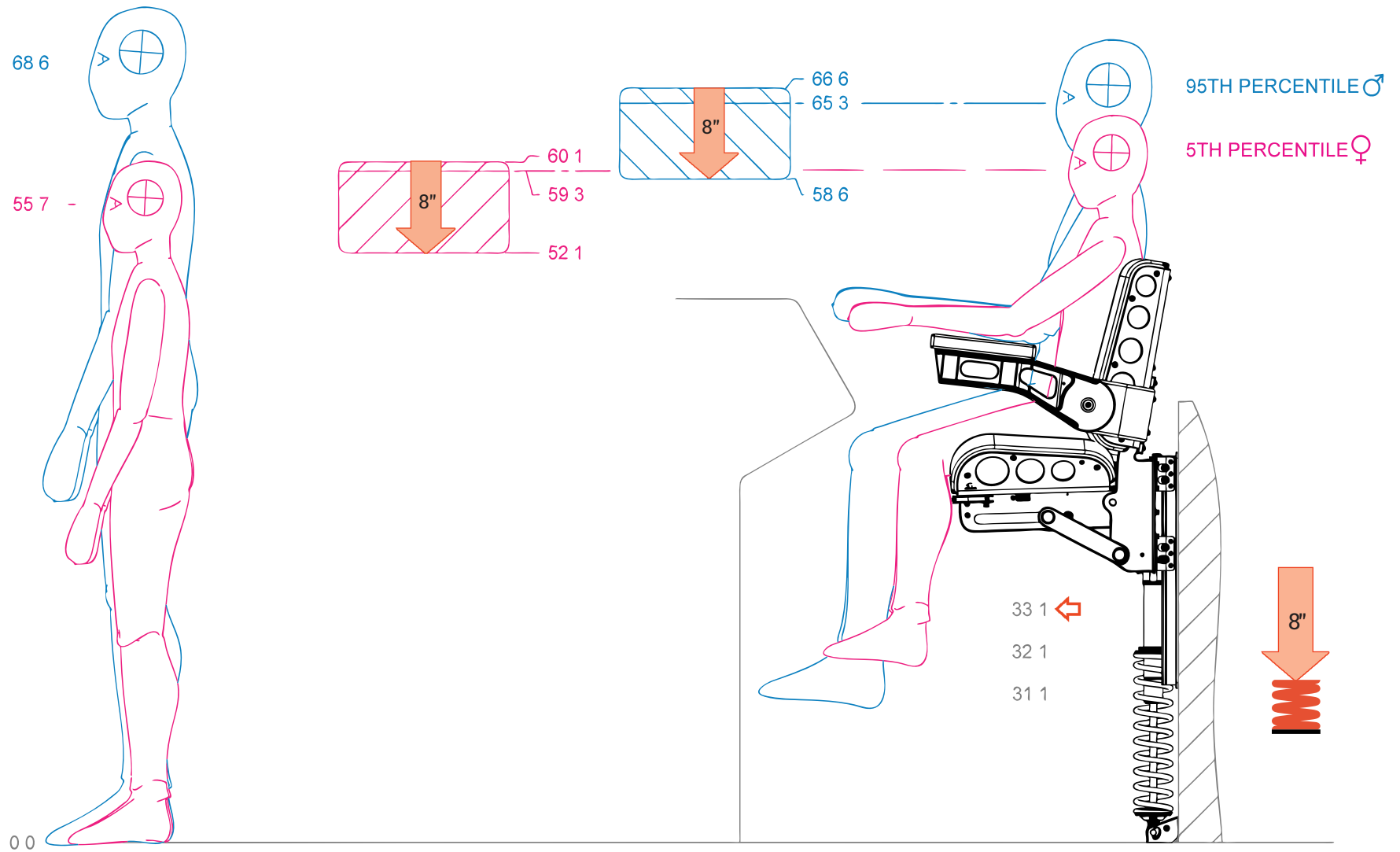
|     |  |                                  |     |
|-----|--|----------------------------------|-----|
| 001 |  | 5/16-18 UNC FLAT HEAD BOLT 316SS | x20 |
| 002 |  | 5/16 FLAT WASHER 316SS           | x24 |
| 003 |  | 5/16-18 UNC NYLOCK NUT 316SS     | x20 |
| 004 |  | 5/16-18 UNC HEX BOLT 316SS       | x4  |

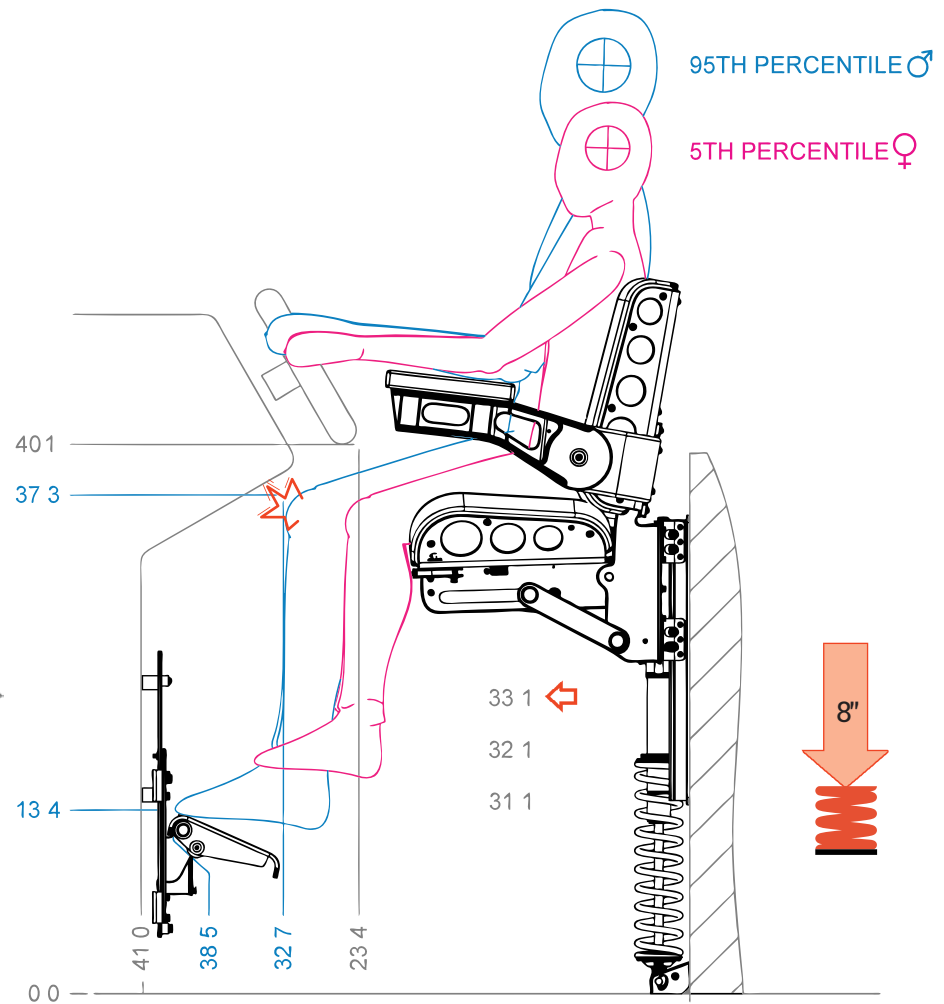
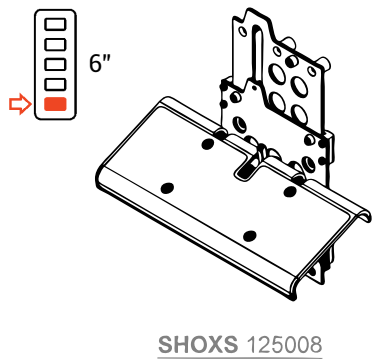
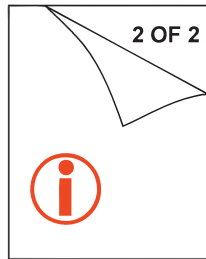


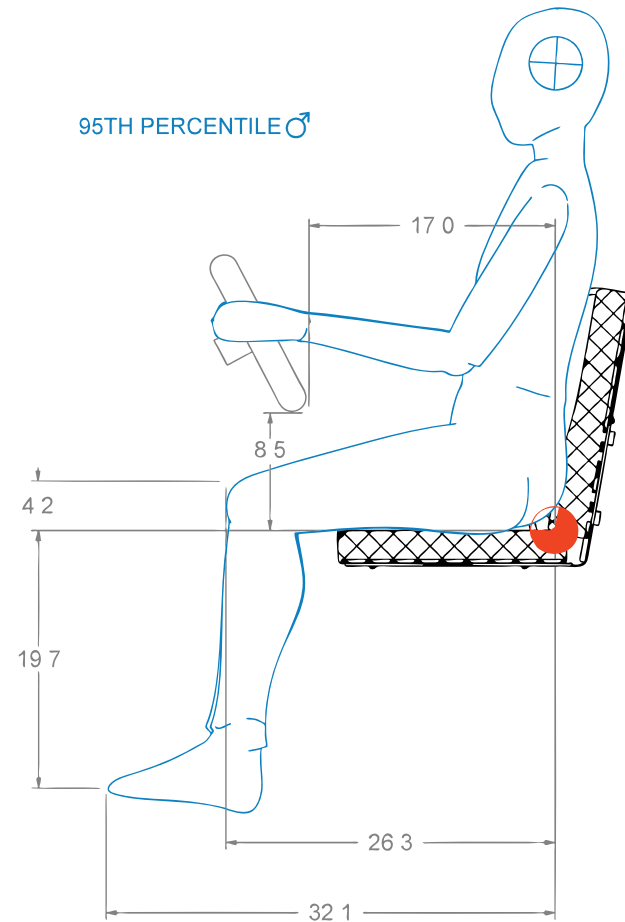
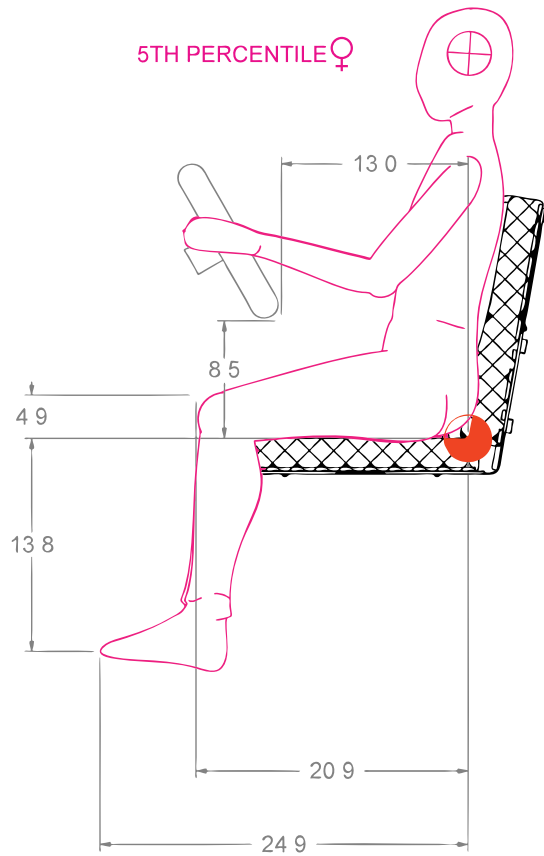


# CENTER OF MASS DATA/6300











| ARMREST OPTION | X (MIN) |
|----------------|---------|
| STANDARD       | 24 0    |
| WIDE           | 26 0    |
| ADJUSTABLE     | 27 0    |

