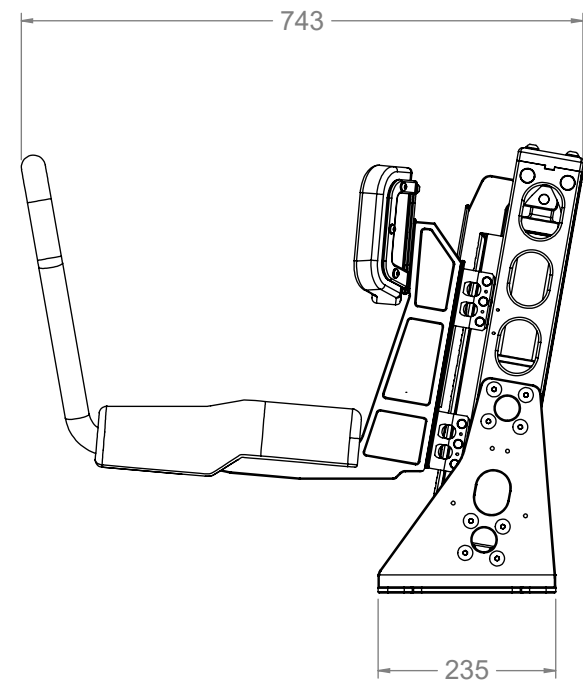
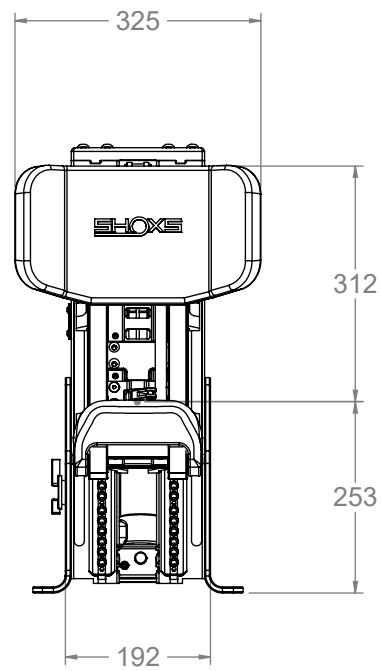
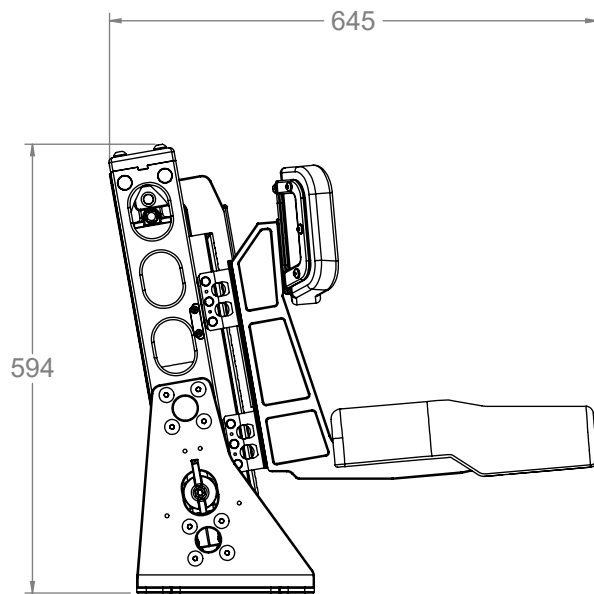




SHOXS 5900

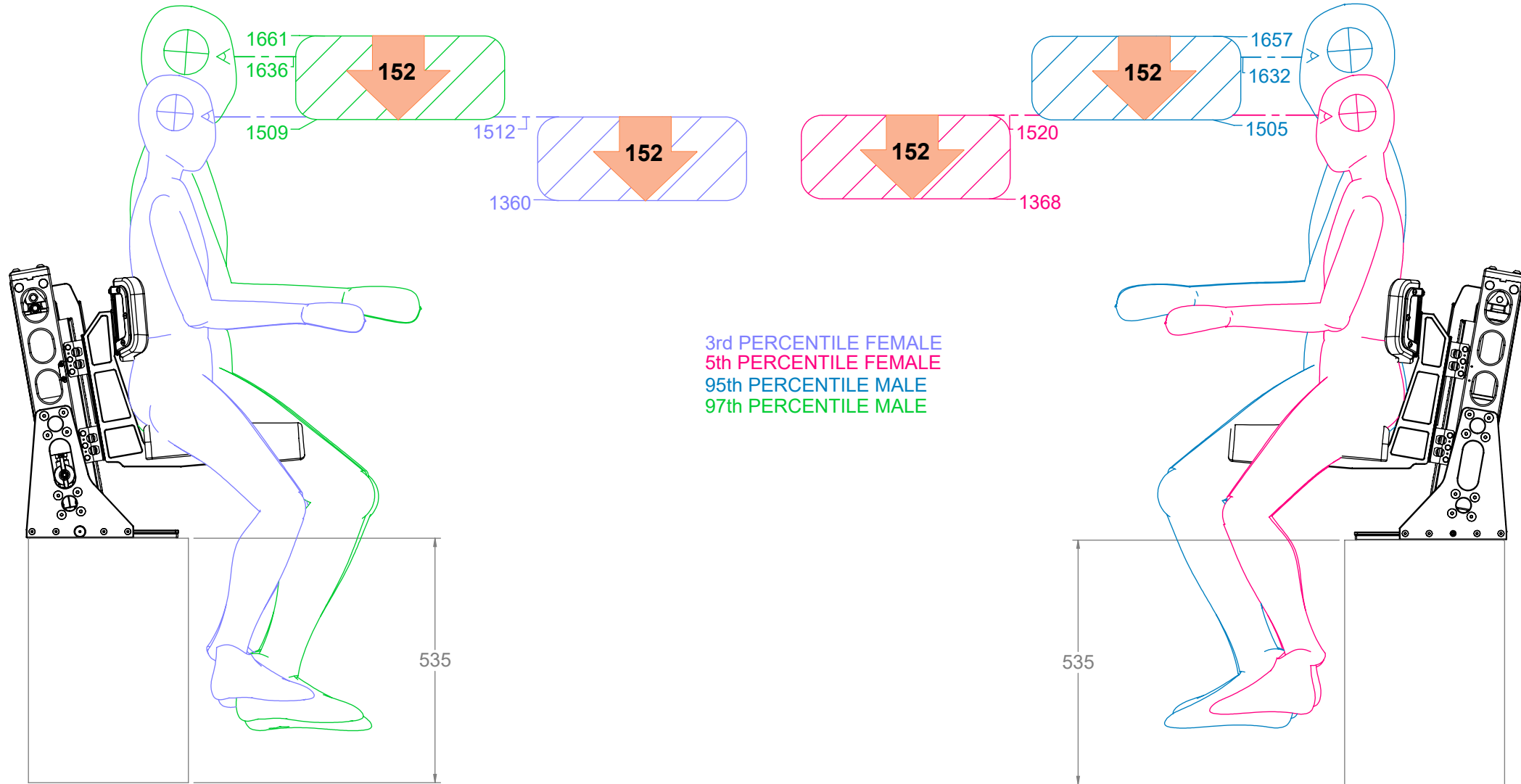
SEAT DIMENSIONS





SHOX5 5900

SEAT SIGHTLINES





SHOXS 5900

SEAT WEIGHTS

	BASE WEIGHT	FRONT MOUNTED GRAB HANDLE	STAB MOUNTED GRAB HANDLE	ISOLATOR OPTIONS	LIGHTEST CONFIGURATION WEIGHT	FULLY CONFIGURED WEIGHT
STANDARD WEIGHTS	15.92 kg	1.00 kg	0.452 kg	STD ISOLATOR: 1.31 kg SHOXSPRO: 1.98 kg SHOXSPRO ADJUSTABLE: 2.30 kg	17.23 kg	19.67 kg
CONVERT 316SS to Ti WEIGHTS	14.98 kg	0.972 kg	0.436 kg	STD ISOLATOR: 1.31 kg SHOXSPRO: 1.93kg SHOXSPRO ADJUSTABLE: 2.25 kg	16.29 kg	18.64 kg

