

SHOX5

STANDARD OPTIONS

SEAT

- FIXED

MOUNTING

- DECK MOUNT

TANDEM COMPATIBLE

- JOCKEY SEAT 5005
- JOCKEY SEAT 5605

OPTIONS

- SHOX5 PRO ADJUSTABLE SUSPENSION UPGRADE
- STORAGE BAG
- STRETCHER COMPATIBLE WITH SUSPENSION LOCKOUT

COLOR

- CLEAR ANODIZED METAL
- UPHOLSTERY: BLACK

NON-STANDARD OPTIONS

- SHOX5 TRAXS DECK MOUNTING SYSTEM

REAR TANDEM: 5050 SEAT OVERVIEW

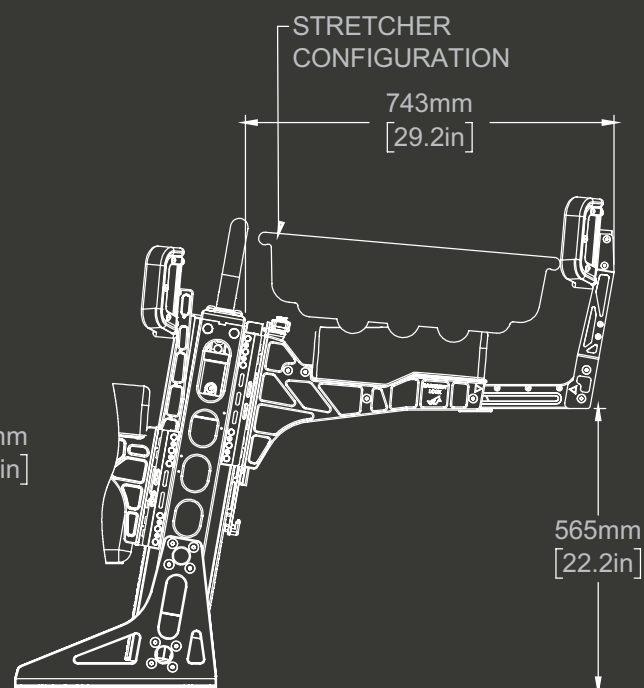
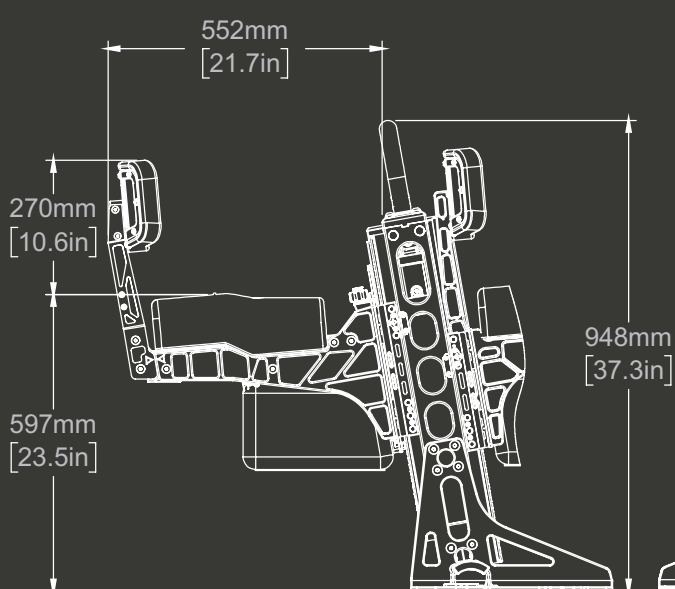
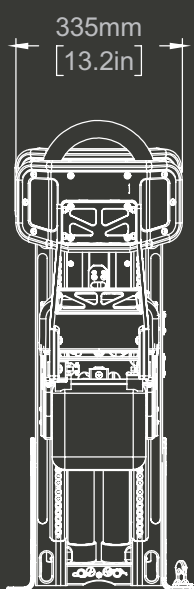
A tandem-mounted jockey seat option with optional extendable backrest to accommodate a stretcher, and 10 inches (254 mm) of suspension travel. Ideal for emergency response boats, boarding teams, or tour and transport boats.



Back rest extends to accommodate a stretcher

Mount on Shoxs Traxs for ease of moving seats





SPECIFICATIONS: SHOX 5050

SUSPENSION TRAVEL	254 mm / 10 in
BASE WEIGHT	11 kg / 25 lb (without stab)
MATERIAL	CNC Aluminum, 316 SS
FINISH	Hard Anodized: Aluminum
UPHOLSTERY	Waterproof Marine Vinyl, UV Stable and Mold Resistant, Black