

# SHOX5

## STANDARD OPTIONS

### SEAT

- FOLDING: FOLD UP SEAT BASE

### MOUNTING

- BULKHEAD MOUNT

### OPTIONS

- TALL BACK WITH INTEGRATED HEADREST
- 2-POINT HARNESS (LAP BELT)

### COLOR

- CLEAR ANODIZED METAL
- UPHOLSTERY: BLACK

## 8100 SEAT OVERVIEW

A fixed troop transport jump seat with auto-stowing seat base. Can be mounted on any lateral or longitudinal bulkhead. Ideal for comfortable, secure transport of personnel at sea during transits where shock mitigation seats are not available.

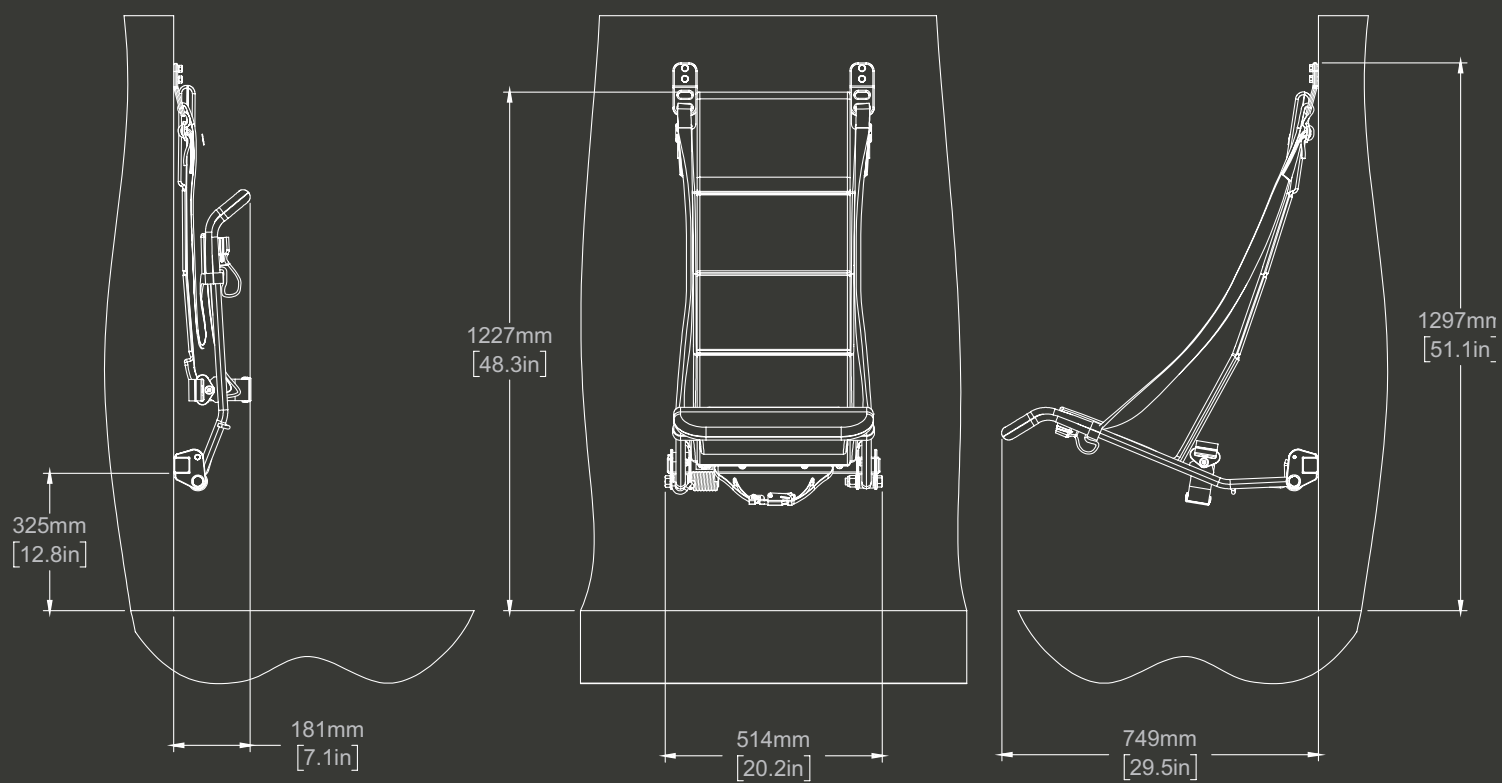


*Auto-stowing seat creates additional deck space when unoccupied*

*Seat style matches 8180*

*\*illustration of bulkhead and deck. Not included with seat.*





### SPECIFICATIONS: SHOXS 8100

<b>SUSPENSION TRAVEL</b>	Fixed
<b>BASE WEIGHT</b>	5.8 kg / 13 lb
<b>MATERIAL</b>	CNC Aluminum, 316 SS
<b>FINISH</b>	Hard Anodized: Aluminum
<b>UPHOLSTERY</b>	Waterproof Marine Vinyl, UV Stable and Mold Resistant, Black