

SHOX5

STANDARD OPTIONS

SEAT

- FOLDING: DROP-DOWN SEAT BASE

MOUNTING

- BULKHEAD MOUNT

LINE OF SIGHT

- HIGH

OPTIONS

- HAND GRIPS
- WIDE SEAT BUCKET WITH 2" WIDER ARMRESTS
- HEIGHT ADJUSTMENT

ACCESSORIES

- 2-POINT HARNESS (LAP BELT)
- CUP HOLDER

COLOR

- CLEAR ANODIZED METAL
- UPHOLSTERY: BLACK

NON-STANDARD OPTIONS

- 4-POINT HARNESS
- ARMREST MOUNTED CONTROLS
- UNIVERSAL EQUIPMENT BOX

6300 SEAT OVERVIEW

A bulkhead-mounted bucket seat with drop down seat base and 8 inches (203 mm) of suspension travel. Ideal for high line-of-sight or standing operation. Easily folded and stowed to increase deck space.

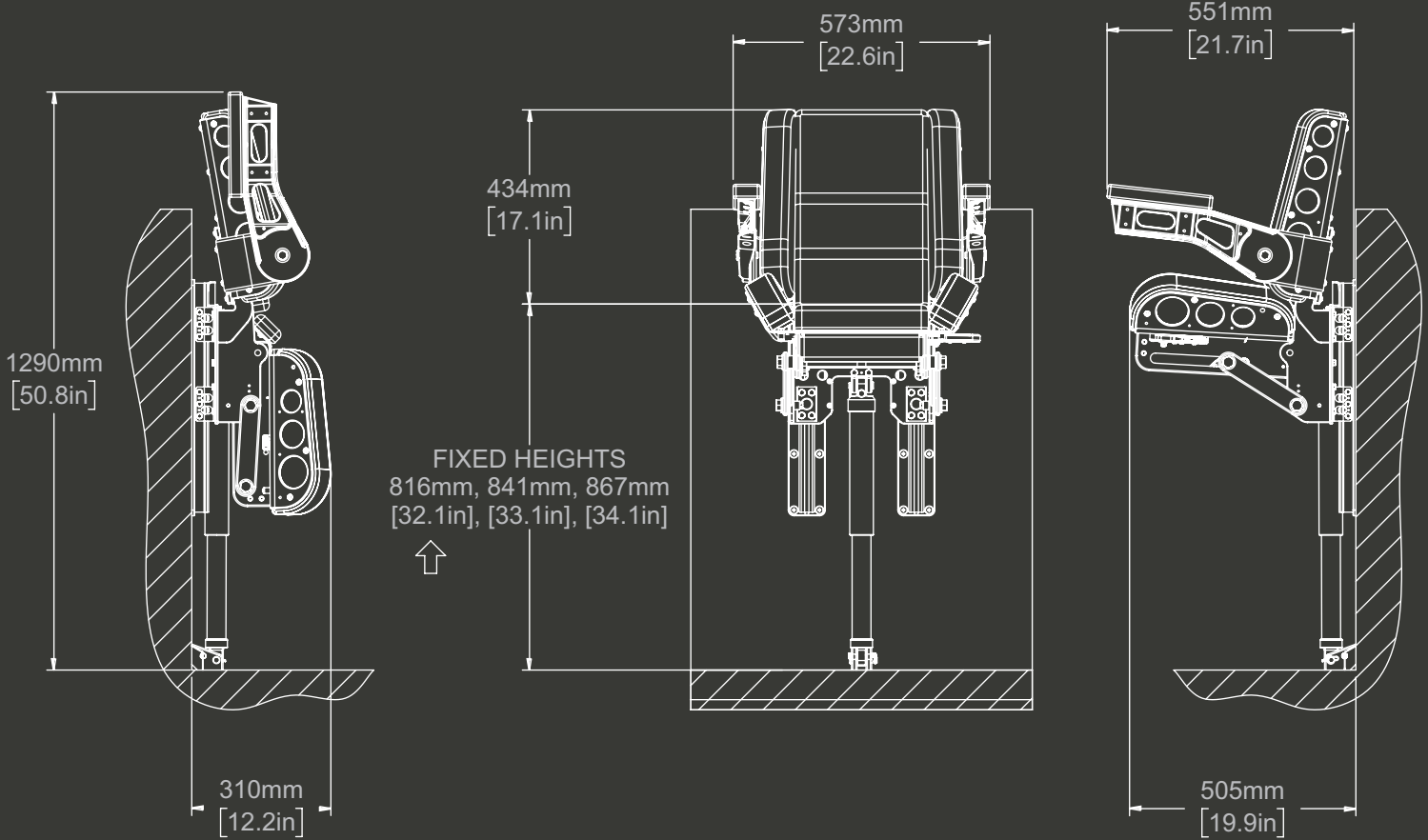


Optional height adjust

Seat base folds down for standing operation

Recommended accessory: Bulkhead Mounted Adjustable Footrest. See Accessories.





SPECIFICATIONS: SHOXS 6300

SUSPENSION TRAVEL	203 mm / 8 in
BASE WEIGHT	27 kg / 60 lb
MATERIAL	CNC Aluminum, 316 SS
FINISH	Hard Anodized Aluminum
UPHOLSTERY	Waterproof Marine Vinyl, UV Stable and Mold Resistant, Black