

SHOX5

STANDARD OPTIONS

SEAT

- FOLDING: DROP-DOWN SEAT BASE

MOUNTING

- BULKHEAD MOUNT

LINE OF SIGHT

- LOW/FEET ON DECK

OPTIONS

- HAND GRIPS
- WIDE SEAT BUCKET WITH 2" WIDER ARMRESTS

ACCESSORIES

- 2-POINT HARNESS (LAP BELT)
- CUP HOLDER

COLOR

- CLEAR ANODIZED METAL
- UPHOLSTERY: BLACK

NON-STANDARD OPTIONS

- 4-POINT HARNESS
- ARMREST MOUNTED CONTROLS
- UNIVERSAL EQUIPMENT BOX



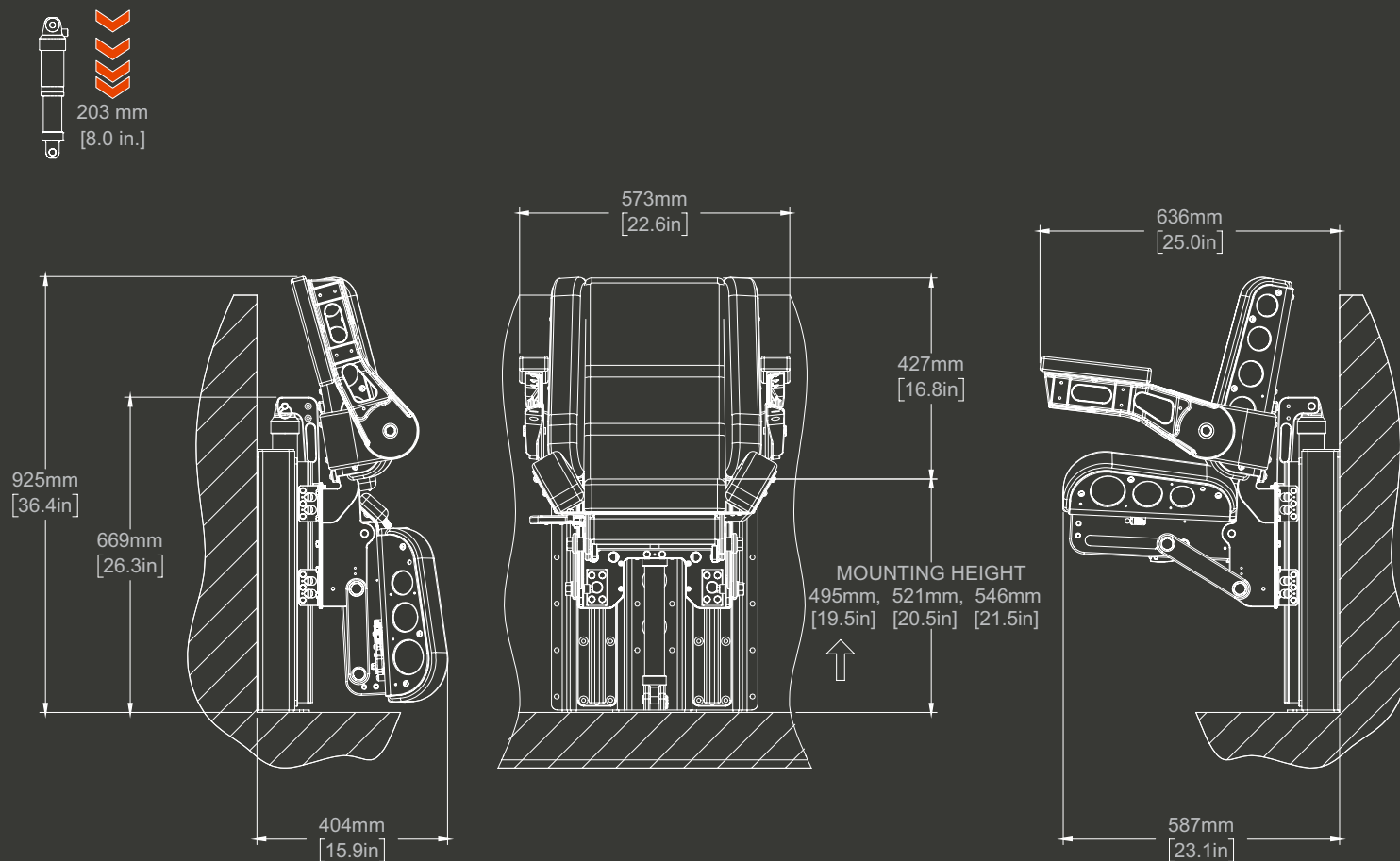
6100 SEAT OVERVIEW

A bulkhead mounted seat with drop-down seat base and 8 inches (203 mm) of suspension travel. Typically used in confined cabin spaces or center console vessels for auxiliary seating where a low ride height is ideal.



Drop down seat base for more deck space

Optional flat bulkhead adapter



SPECIFICATIONS: SHOXS 6100

SUSPENSION TRAVEL	203 mm / 8 in
BASE WEIGHT	27 kg / 60 lb
MATERIAL	CNC Aluminum, 316 SS
FINISH	Hard Anodized Aluminum
UPHOLSTERY	Waterproof Marine Vinyl, UV Stable and Mold Resistant, Black