

# SHOX5

## STANDARD OPTIONS

### SEAT

- FIXED

### MOUNTING

- DECK MOUNT

### TANDEM COMPATIBLE

- JOCKEY SEAT 5050
- JOCKEY SEAT 5105
- JOCKEY SEAT 5705

### FUNCTIONALITY OPTIONS

- HEIGHT ADJUSTMENT
- FORE/AFT SLIDER

### OPTIONS

- SHOX5 PRO ADJUSTABLE SUSPENSION UPGRADE
- STORAGE BAG
- FRONT GRAB HANDLE

### COLOR

- CLEAR ANODIZED METAL
- UPHOLSTERY: BLACK

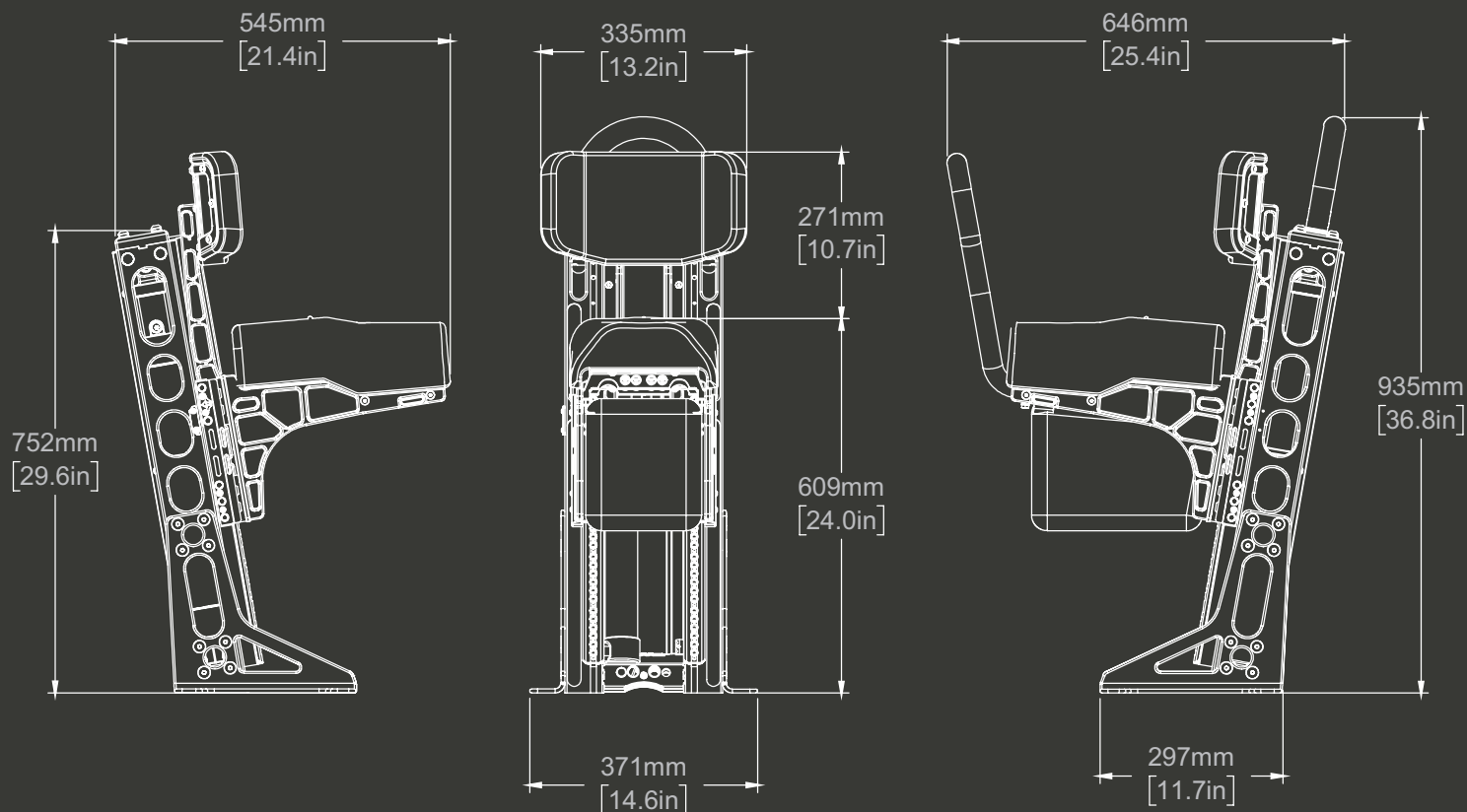
### NON-STANDARD OPTIONS

- SHOX5 TRAXS DECK MOUNTING SYSTEM

## 5005 SEAT OVERVIEW

A deck mounted jockey seat with 10 inches (254 mm) of suspension travel and optional tandem seat compatibility. Suitable for high density seating layouts on high speed craft with open cockpits.





### SPECIFICATIONS: SHOX 5005

<b>SUSPENSION TRAVEL</b>	254 mm / 10 in
<b>BASE WEIGHT</b>	18 kg / 40 lb
<b>MATERIAL</b>	CNC Aluminum, 316 SS, Titanium
<b>FINISH</b>	Hard Anodized: Aluminum
<b>UPHOLSTERY</b>	Waterproof Marine Vinyl, UV Stable and Mold Resistant, Black