



STANDARD OPTIONS

SEAT

- FIXED BUCKET

MOUNTING

- DECK OR BOX MOUNT

FUNCTIONALITY OPTIONS

- HEIGHT ADJUSTMENT
- FORE/AFT SLIDER
- SWIVEL

ACCESSORIES

- 2-POINT HARNESS (LAP BELT)
- STORAGE/CHART POCKET
- CUP HOLDER

COLOR

- CLEAR ANODIZED METAL
- UPHOLSTERY: GRAY OR BLACK

NON-STANDARD OPTIONS

- TALL BACK WITH INTEGRATED HEADREST
- WIDE SEAT BUCKET WITH 2" WIDER ARMRESTS
- 4-POINT HARNESS

3200-X4 SEAT OVERVIEW

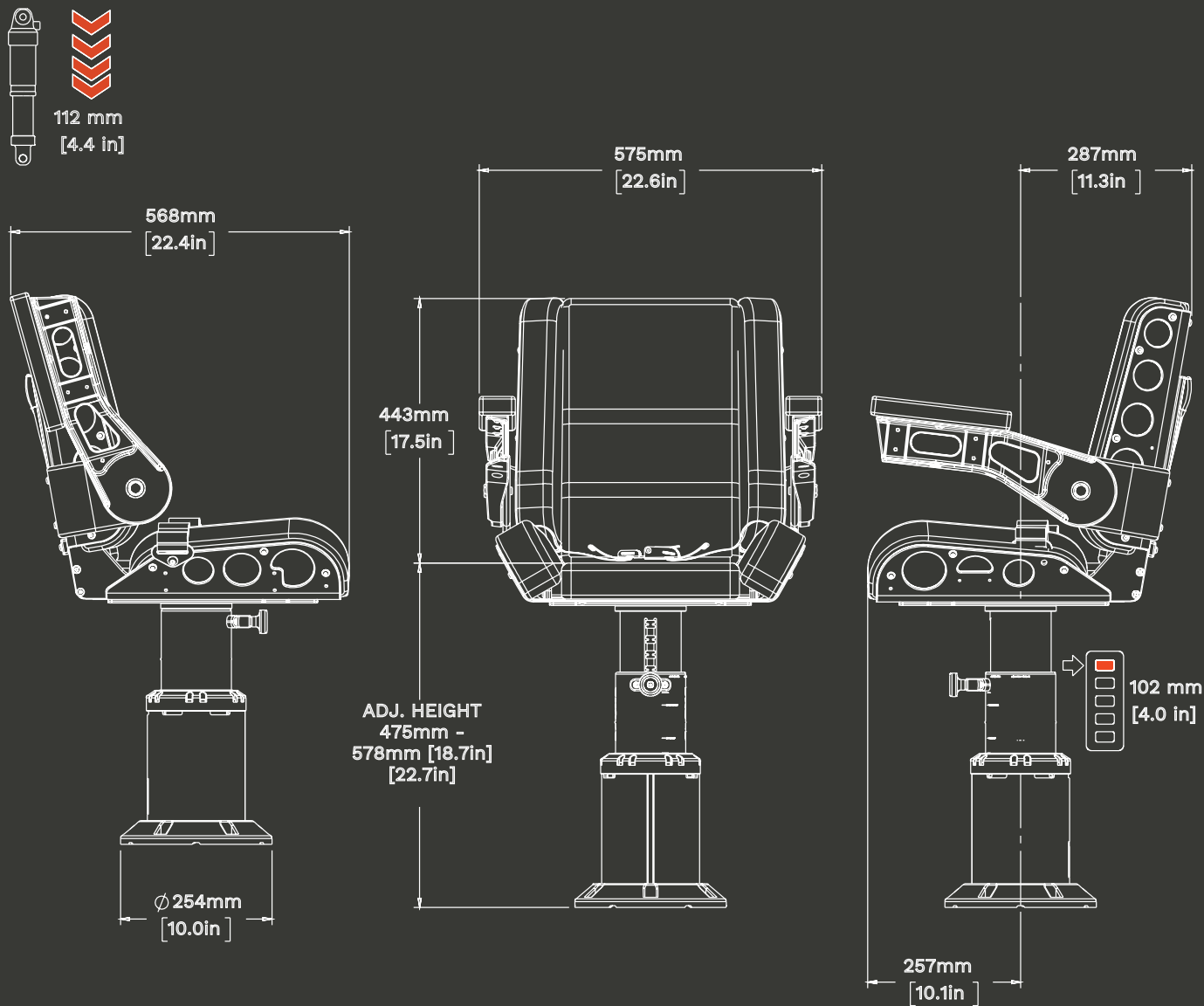
A fixed bucket seat with low ride height and 4.4 inches (112 mm) of suspension travel. Ideal for helm, navigator, or passenger seating in center console or cabin-style vessels.



Adjustable flange for surface or flush mount configuration



3200-X4



SPECIFICATIONS: SHOXS 3200-X4

SUSPENSION TRAVEL	112 mm / 4.4 in
BASE WEIGHT	26.2 kg / 58 lb
MATERIAL	CNC Aluminum, 316L SS
FINISH	Hard Anodized: Aluminum
UPHOLSTERY	Waterproof Marine Vinyl, UV Stable and Mold Resistant, Gray or Black