



STANDARD OPTIONS

SEAT

- FIXED SEAT BASE

MOUNTING

- DECK OR BOX MOUNT

LINE-OF-SIGHT

- LOW/SEATED

FUNCTIONALITY

- HEIGHT ADJUSTMENT
- FORE/AFT SLIDER

OPTIONS

- HAND GRIPS
- TALL BACK WITH INTEGRATED HEADREST
- WIDE SEAT BUCKET WITH 2" WIDER ARMRESTS

ACCESSORIES

- 2-POINT HARNESS (LAP BELT)
- STORAGE/CHART POCKET
- CUP HOLDER

COLOR

- ANODIZED METAL: BLACK
- UPHOLSTERY: BLACK

NON-STANDARD OPTIONS

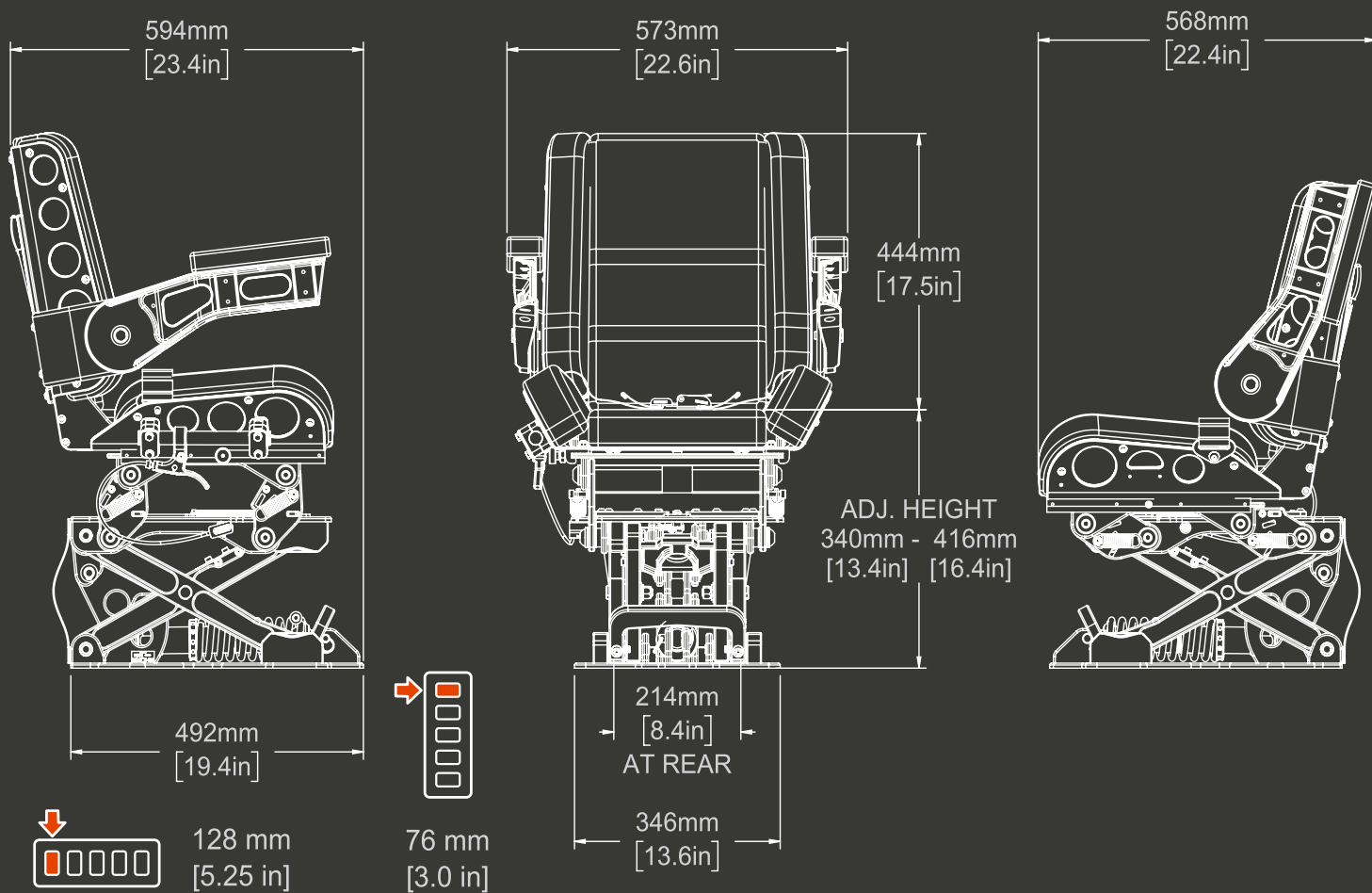
- 4-POINT HARNESS
- ARMREST MOUNTED CONTROLS
- CUSTOM ENGINEERING



2000 SEAT OVERVIEW

A bucket style seat with fixed seat base and 5 inches (127 mm) of suspension travel. Typical applications include helmsman, navigator, crew or passenger seating in an enclosed cabin or open cockpit.





SPECIFICATIONS: SHOXS 2000

| | |
|--------------------------|--|
| SUSPENSION TRAVEL | 127 mm / 5 in |
| BASE WEIGHT | 37.6 kg / 83 lb |
| MATERIAL | CNC Aluminum, 316 SS, Titanium |
| FINISH | Hard Anodized Aluminum: Black |
| UPHOLSTERY | Waterproof Marine Vinyl, UV Stable and Mold Resistant, Black |