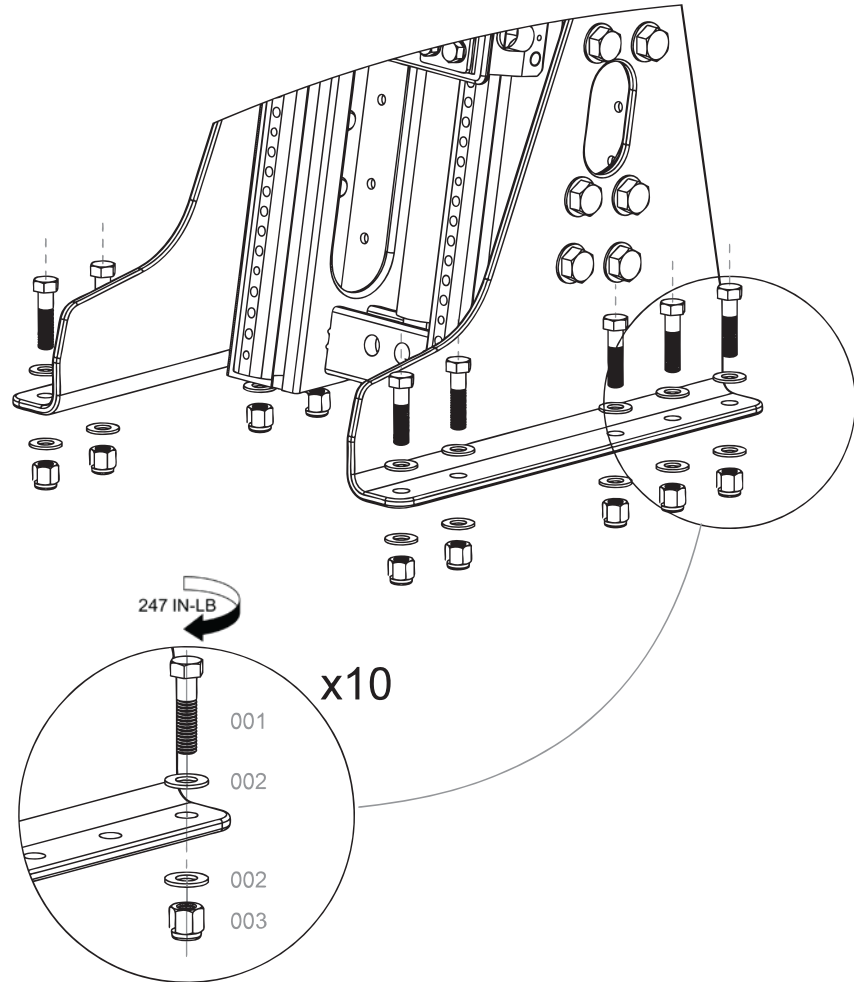
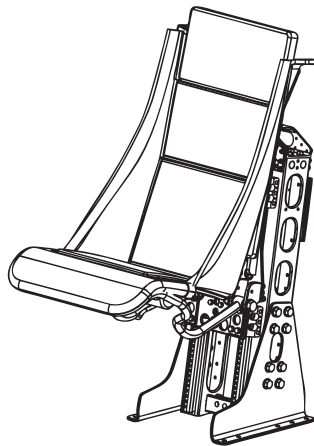


001		3/8-16 UNC HEX BOLT 316SS	x10
002		3/8 FLAT WASHER 316SS	x20
003		3/8-16 UNC NYLOCK NUT 316SS	x10



# CENTER OF MASS DATA/8180

