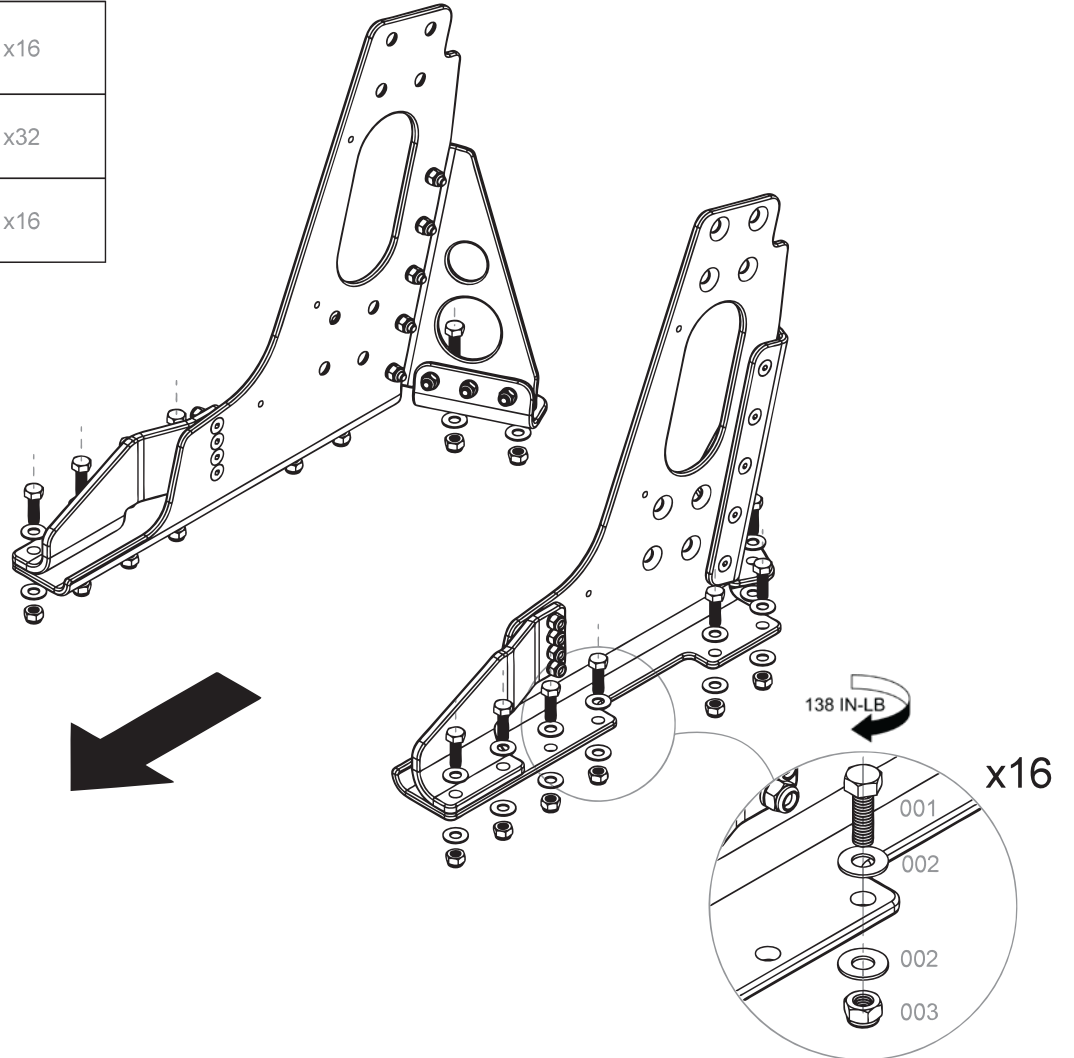
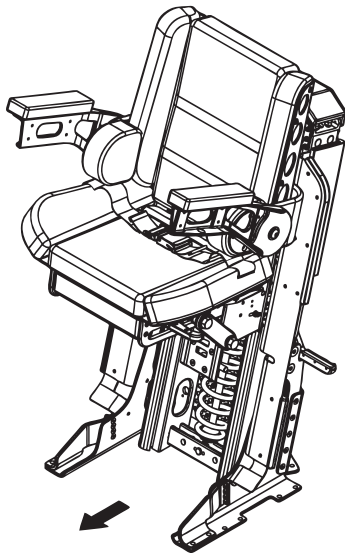
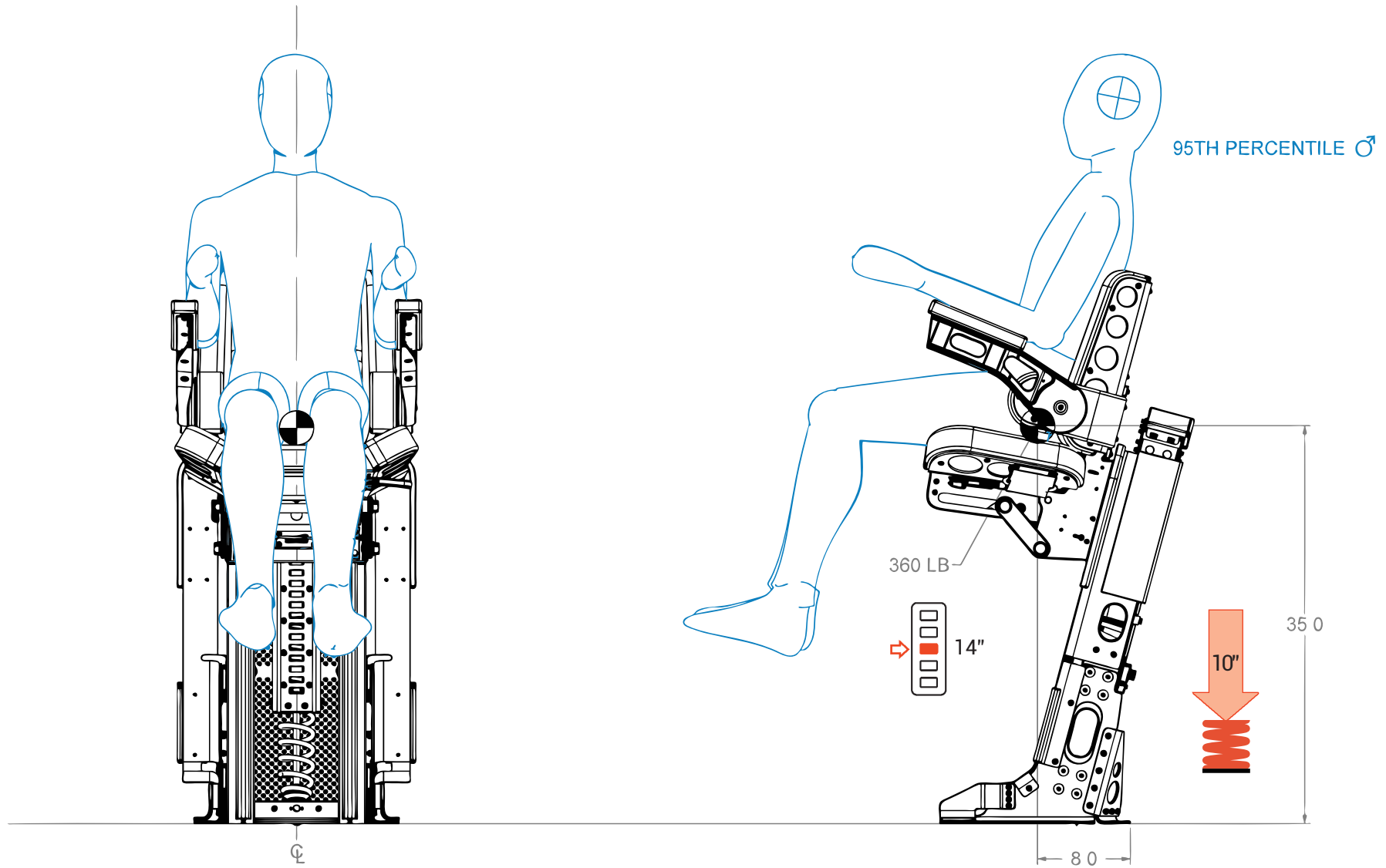
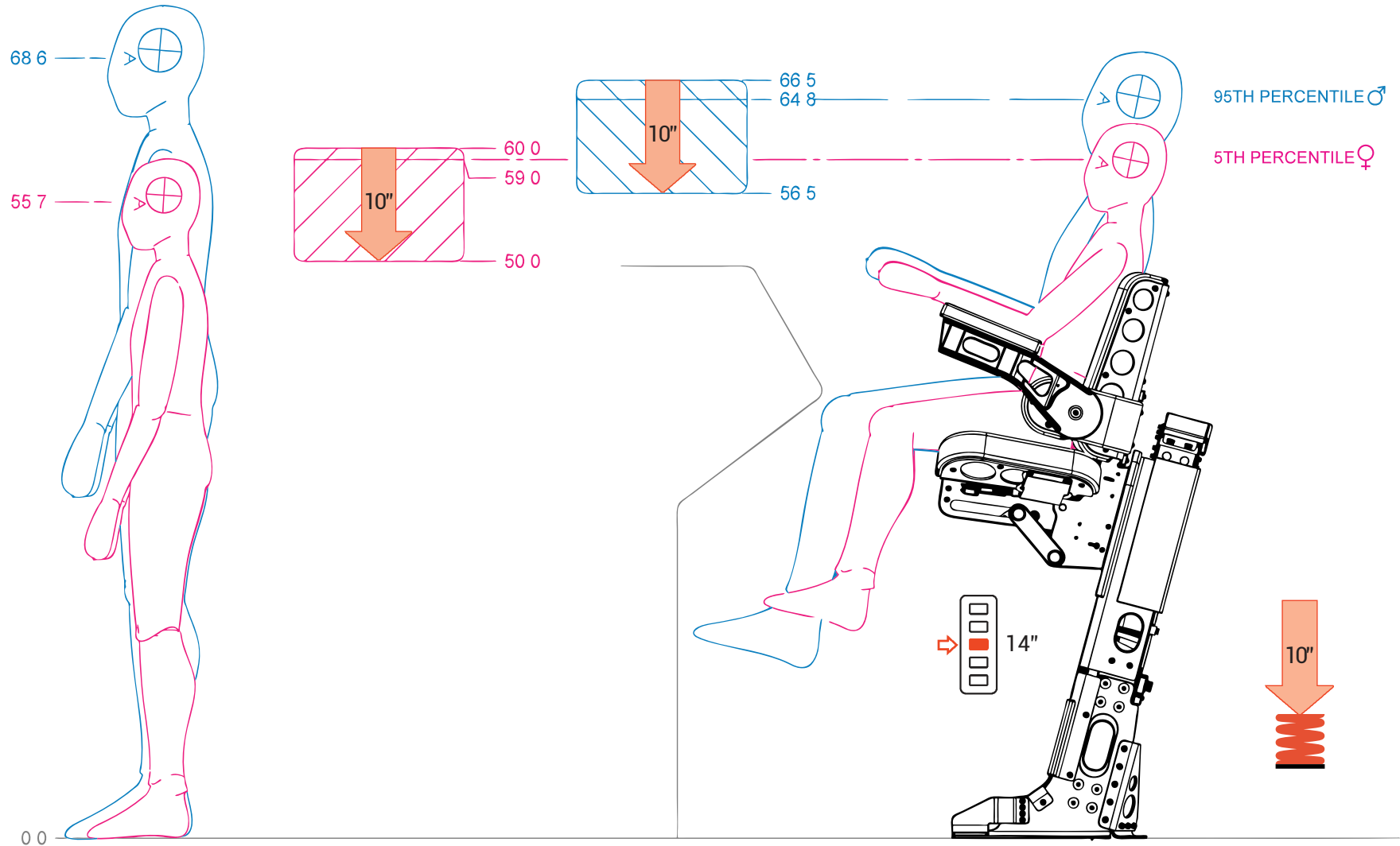


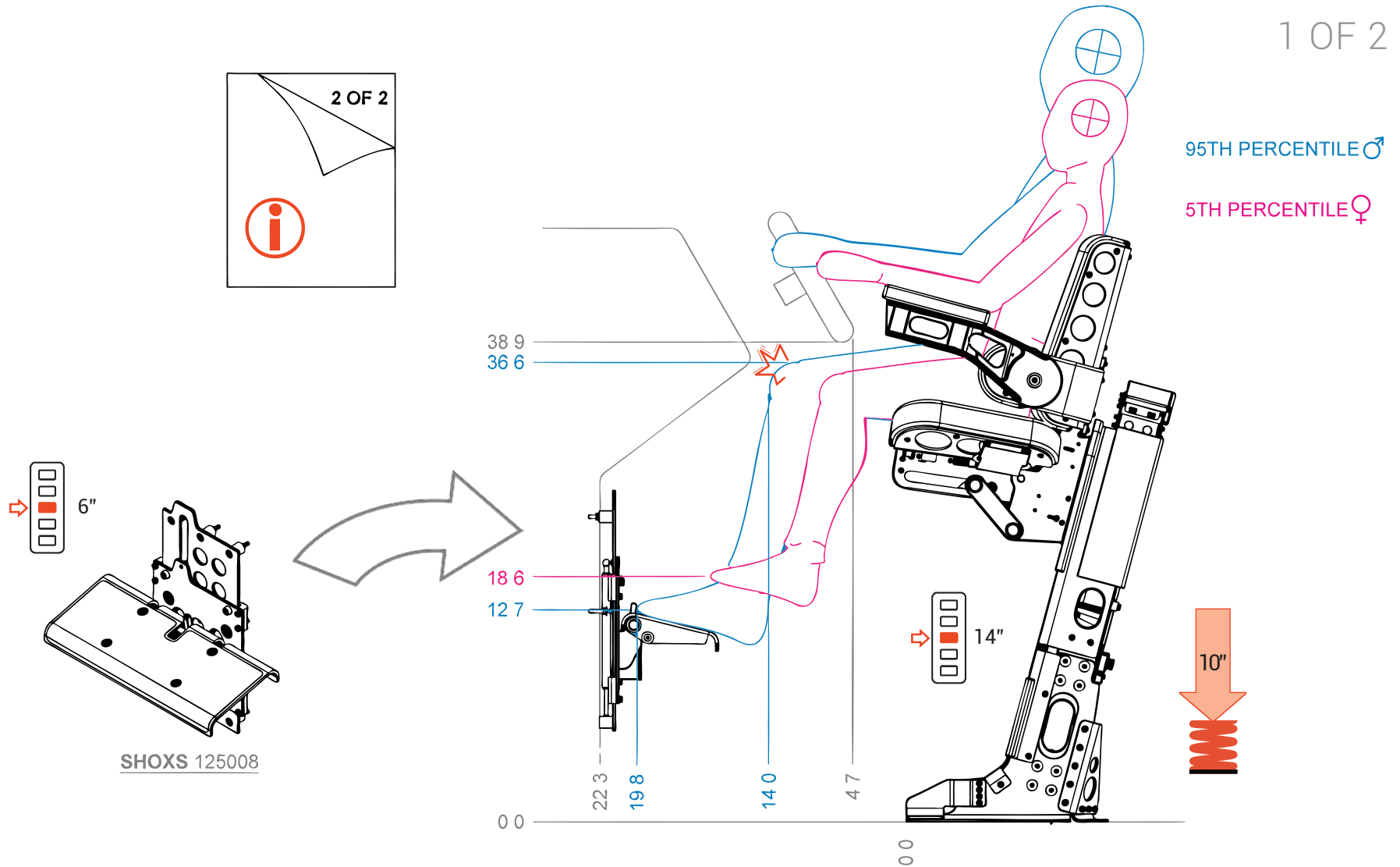
001		5/16-18 UNC HEX BOLT 316SS	x16
002		5/16 FLAT WASHER 316SS	x32
003		5/16-18 UNC NYLOCK NUT 316SS	x16

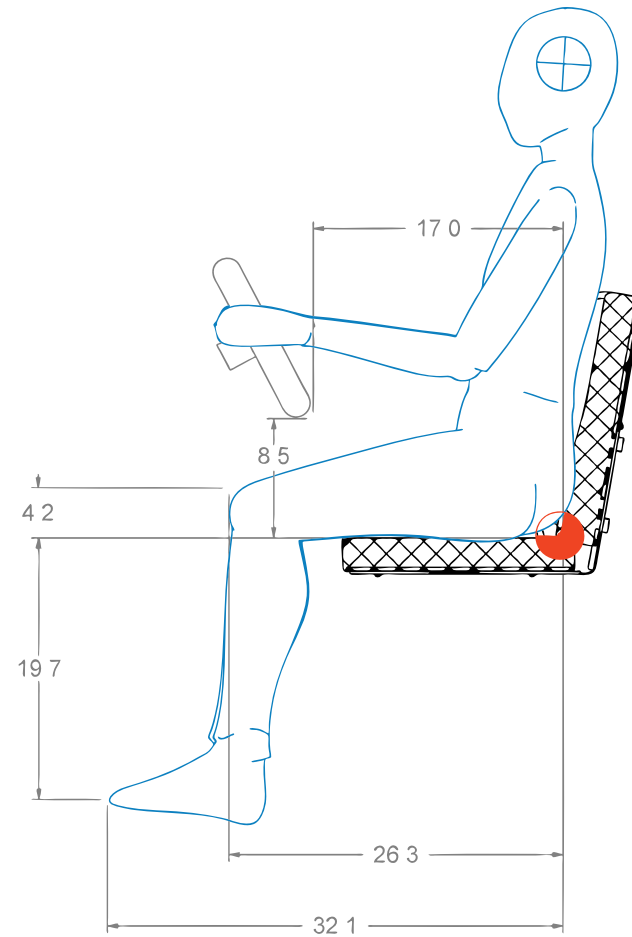
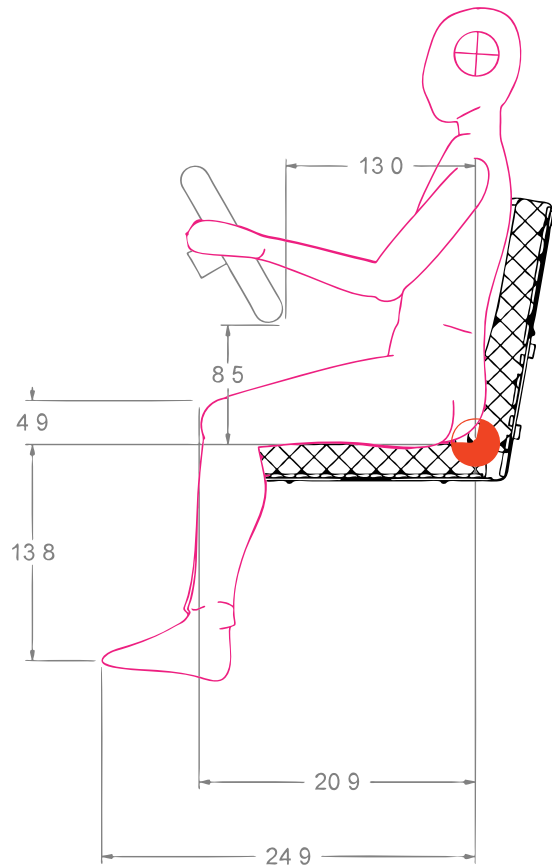


# CENTER OF MASS DATA/6500









SEAT REFERENCE POINT (SRP)

# SEAT SPACING/6500

ARMREST OPTION	X (MIN)
STANDARD	24 0
WIDE	26 0
ADJUSTABLE	27 0

