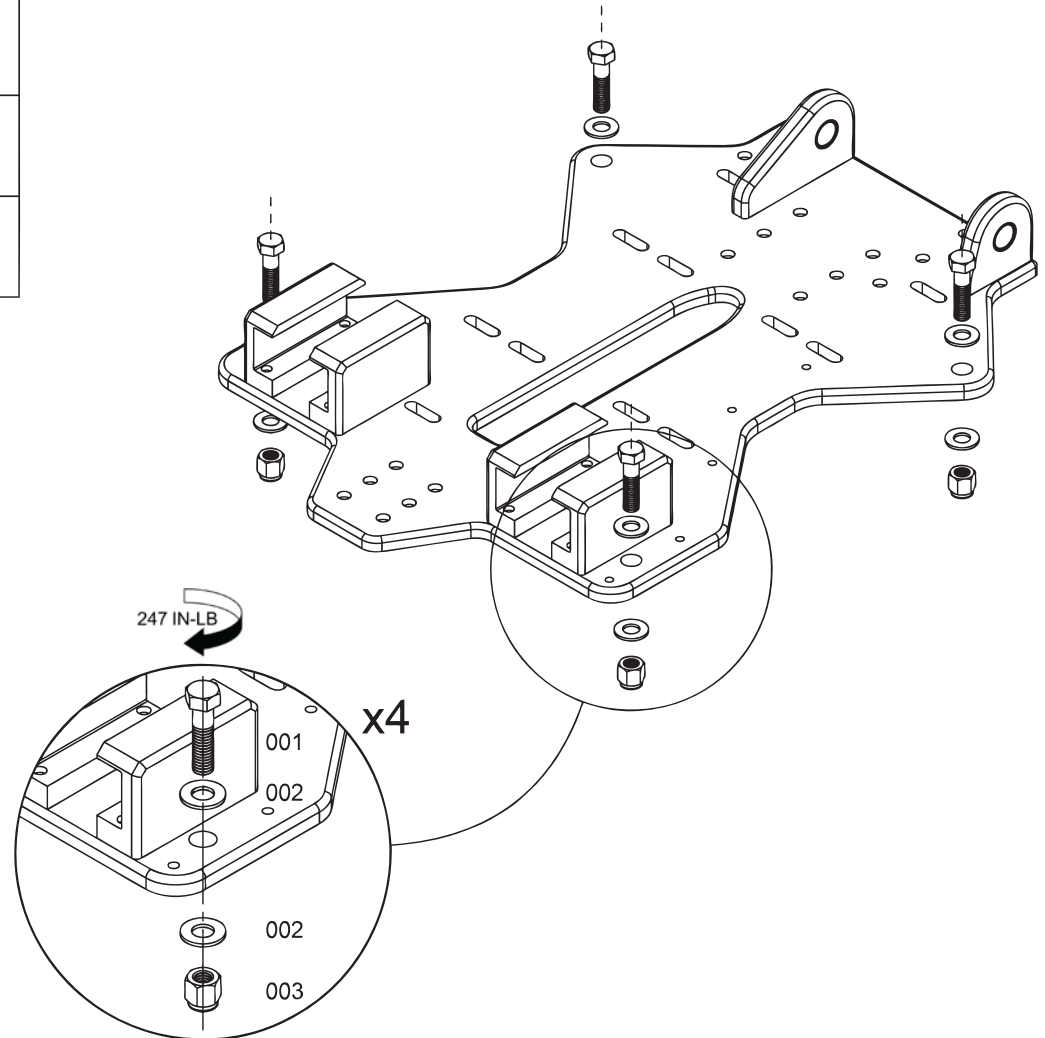
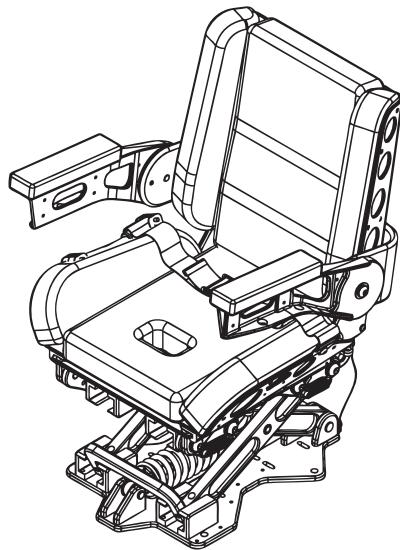
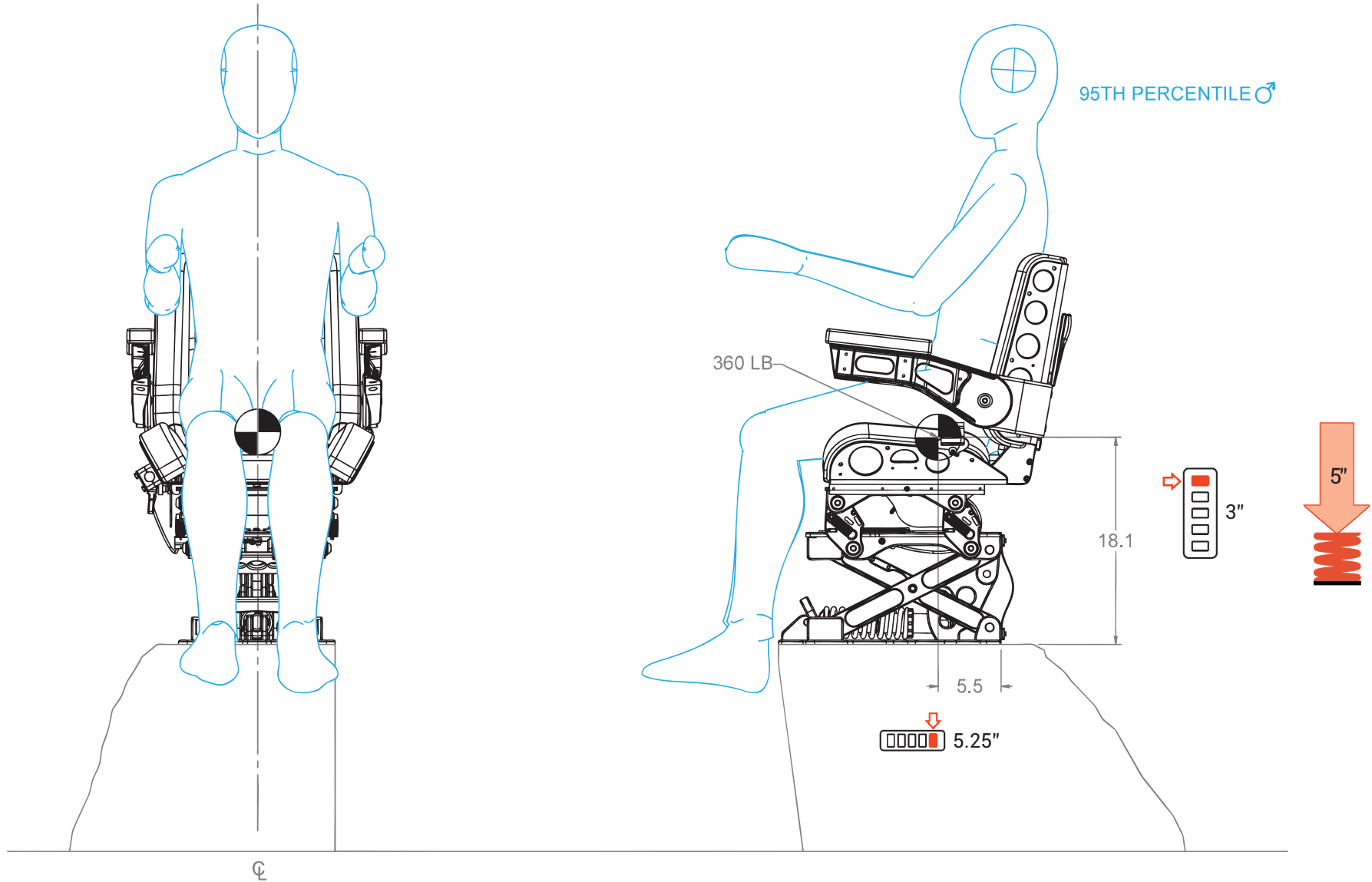
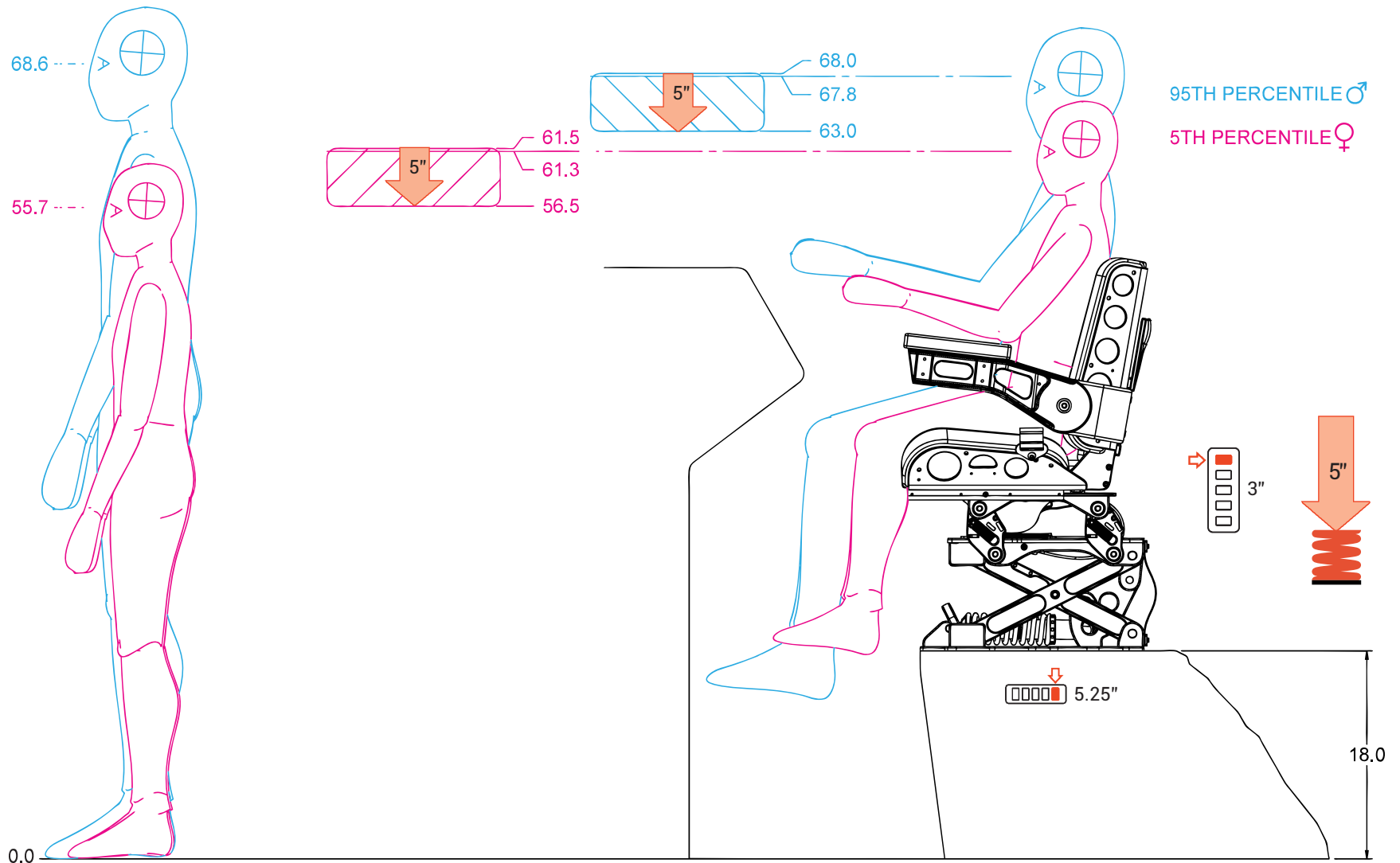


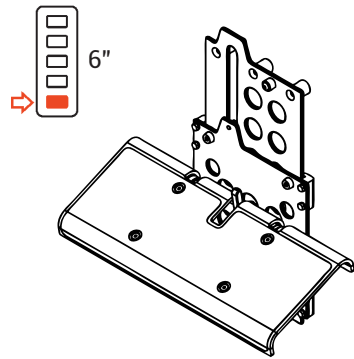
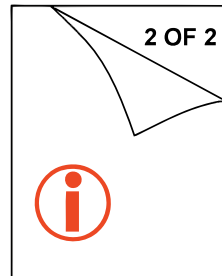
001		3/8-16 UNC HEX BOLT 316SS	x4
002		3/8 FLAT WASHER 316SS	x8
003		3/8-16 UNC NYLOCK NUT 316SS	x4



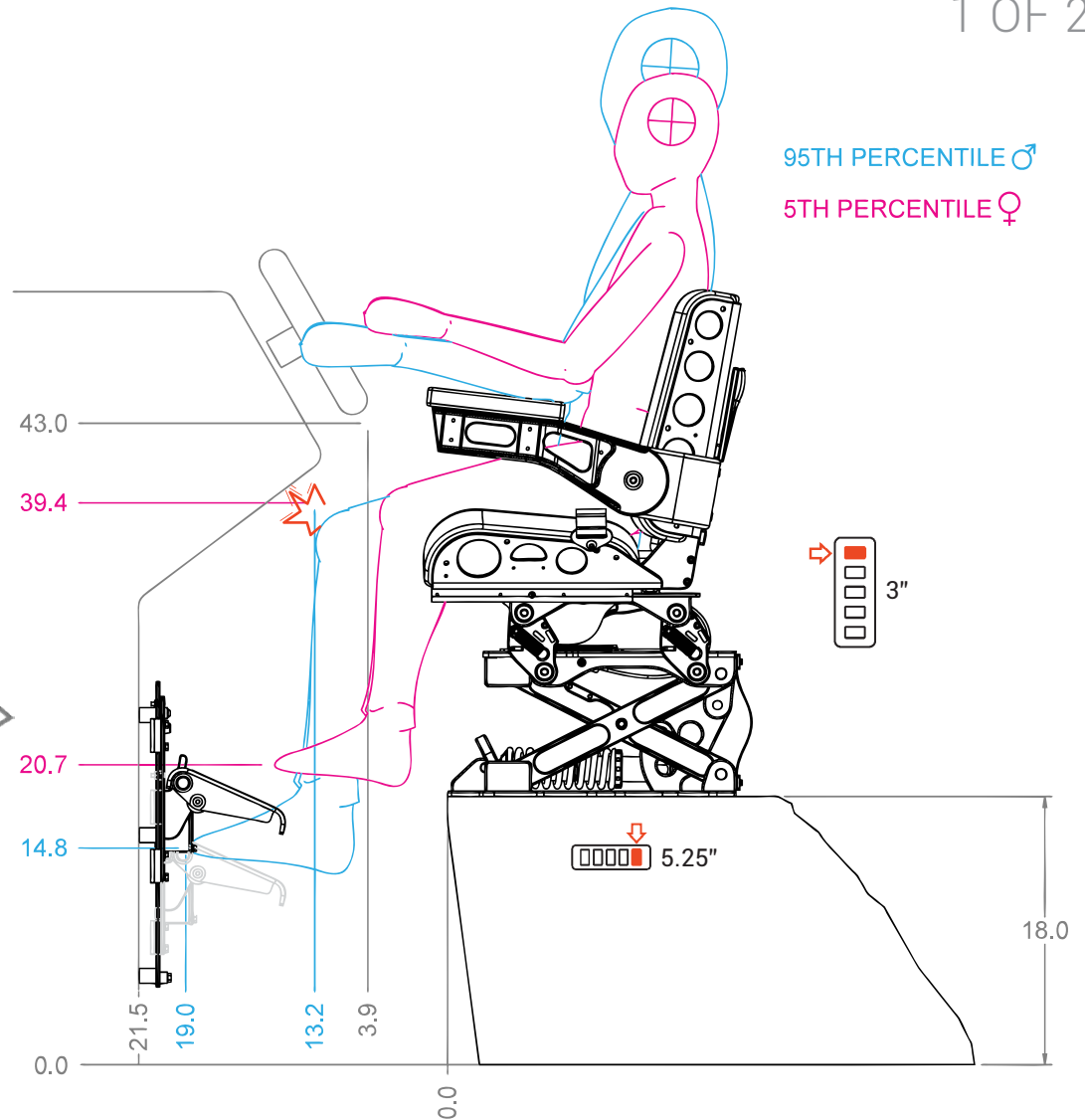
CENTER OF MASS DATA/2000

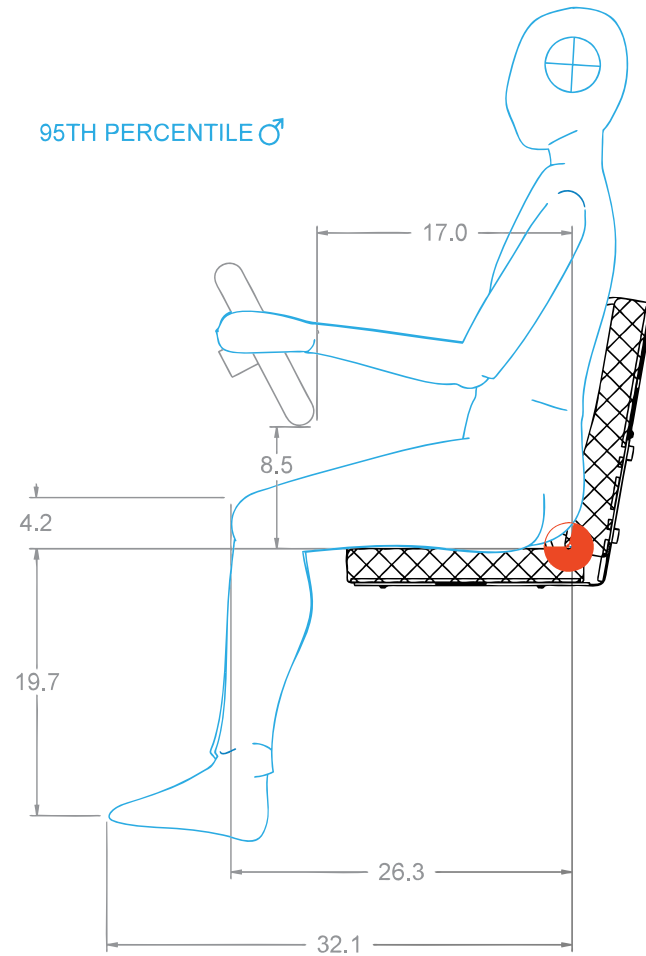
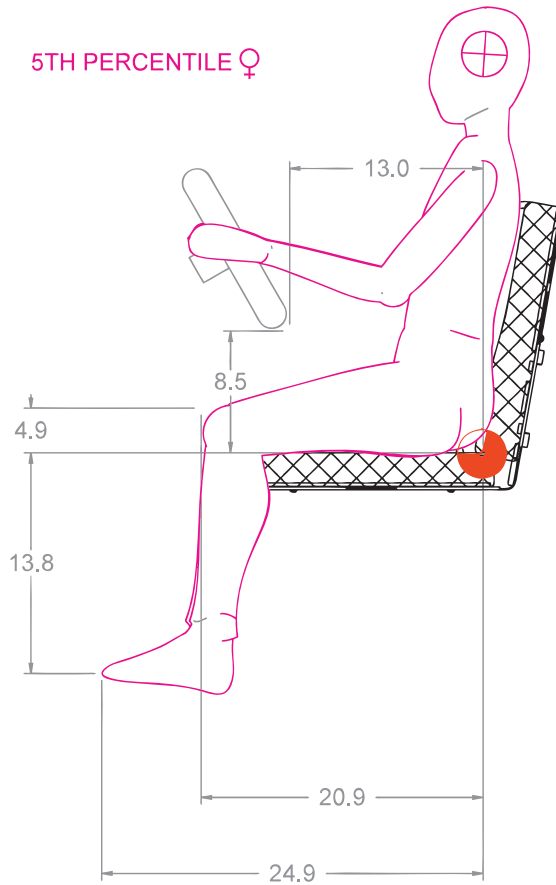






SHOXS 125008





SEAT REFERENCE POINT (SRP)

ARMREST OPTION	X (MIN)
STANDARD	24.0
WIDE	26.0
ADJUSTABLE	27.0

